

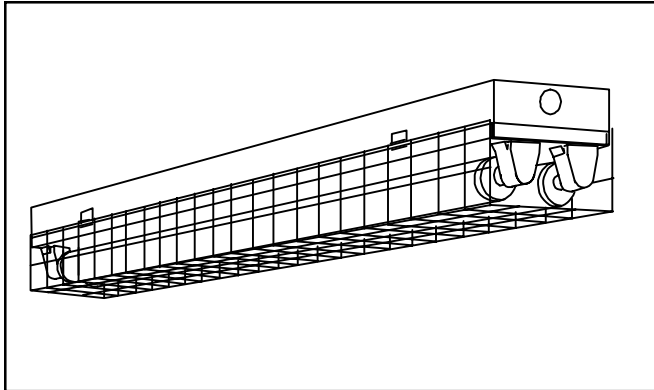


# SLIMLINE STRIP LIGHTING WITH A PROTECTIVE WIRE GUARD

FOR FLUORESCENT T8 OR T12 SLIMLINE LAMPS

# LSSG

DOUBLE ROW



Date: \_\_\_\_\_  
 Project Name: \_\_\_\_\_  
 Fixture type: \_\_\_\_\_  
 Cat. No.: \_\_\_\_\_  
 Volts: \_\_\_\_\_  
 Ballast type: \_\_\_\_\_  
 Variants: \_\_\_\_\_  
 \_\_\_\_\_  
 \_\_\_\_\_

## Specifications:

**GENERAL:** Multi-purpose luminaire for slimline fluorescent lamps. Unshielded lamps provide maximum light output. Suitable for commercial and industrial applications where the lamps may be subject to accidental breakage. May be suspended with chain or a rigid stem.

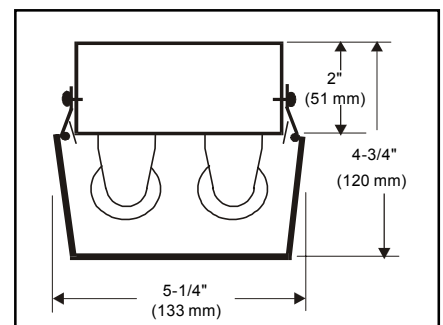
**SHIELDING:** Steel wire guard hinges either side for relamping by removal of 2 screws.

**HOUSING:** Rigid die formed from code gauge steel. End caps serve as continuous row mounting couplers. 7/8" K.O. provided at top and end of fixture for wire entry. Baked white polyester finish over a phosphate base.

**ELECTRICAL:** Units are equipped with certified magnetic instant start ballasts 120 vac. 60Hz. Other ballasts and voltages are available upon request. Single-pin Lampholders. Provision for grounding.

**APPROVAL:** Certified CSA and/or UL.

| LENGTH | LAMPS         | CAT. NO.           | WEIGHT           |
|--------|---------------|--------------------|------------------|
| 8'     | 2-59 W/T8/SL  | <b>LSSG-8-259-</b> | 14 Kg. (30 Lbs.) |
| 8'     | 2-75 W/T12/SL | <b>LSSG-8-275-</b> | 15 Kg. (34 Lbs.) |



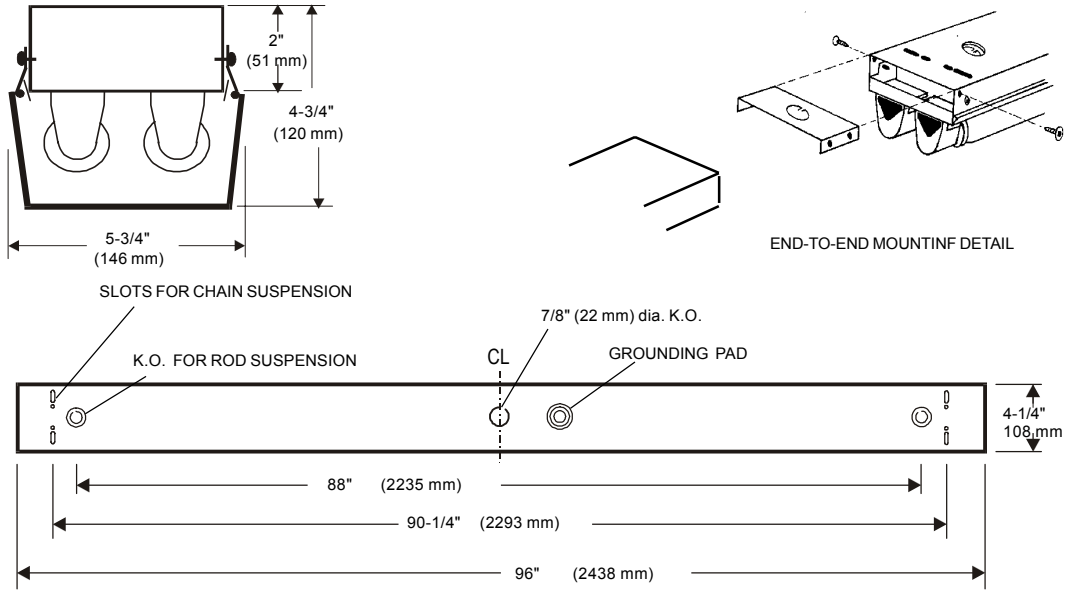
**ORDERING GUIDE:**

**CAT.NO. + VOLTS**

|     |
|-----|
| 120 |
| 277 |
| 347 |

Example: L S S G - 8 - 2 7 5 - 1 2 0

**Details:**



**Photometric Data:**

**AVAILABLE ON REQUEST**