

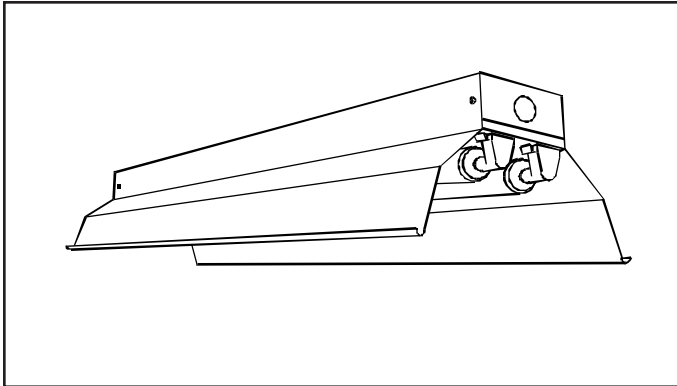


FLUORESCENT REFLECTOR STRIPS INDUSTRIAL - COMMERCIAL

FLUORESCENT T8 or T12 SLIMLINE LAMPS

NIR

SLIMLINE



Date: _____

Project Name: _____

Fixture type: _____

Cat. No: _____

Volts: _____

Ballast type: _____

Variants: _____

Specifications:

GENERAL: Highly efficient industrial fluorescent luminaire. Reflector provides a wide distribution of light with a shielding angle of 15° below horizontal. Suitable for surface or pendant installation as individual or in continuous row. Provision for stem or chain suspension.

SHIELDING: Die formed reflector from code gauge steel. High gloss, baked white polyester finish.

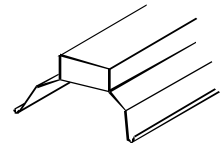
HOUSING: Rigid die-formed from code gauge steel. Finish white polyester powder coating. Steel parts are chemically cleaned and phosphatized ensuring maximum paint adhesion. K.O. provided for stem or chain suspension. Break-off end plates serve as joiners for continuous row installation.

ELECTRICAL: HPF thermally protected electromagnetic energy saving ballast 120V, 60 Hz. Other Volt ratings also available. Where applicable, electronic ballasts are available upon request. Single pin lampholders.

CERTIFIED: CSA and/or UL.

	SLIMLINE LAMPS	"L"	CAT. NO.	WEIGHT
	1-59 W / T8	8'	NIR-8-159-	9 Kg (20 lbs)
	2-59 W / T8*	16'	NIR-8-259-	18 Kg (40 lbs)
	1-75 W / T12	8'	NIR-8-175-	9 Kg (20 lbs)
	2-75 W / T12*	16'	NIR-8-275-	18 Kg (40 lbs)
	* LAMPS IN TANDEM			
	2-59 W / T8	8'	NIR-8-259-	9.5 Kg (21 lbs.)
	2-75 W / T12	8'	NIR-8-275-	" "

SOLID REFLECTOR



ORDERING GUIDE:

CAT. NO. + VOLTS + BALLAST

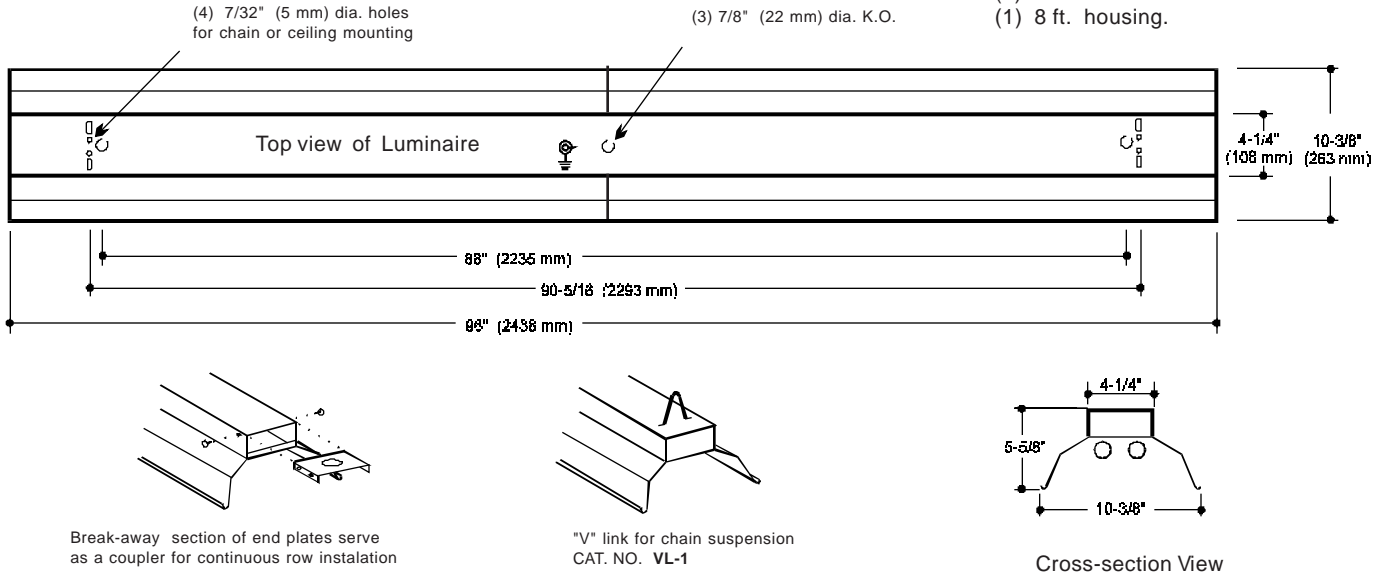
120
277
347

ES = Energy Saving
EL = Electronic

Example: **NIR-8-275-120-ES**

Details:

NOTE: 8 ft. unit constitutes,
 (2) 4 ft. reflectors and
 (1) 8 ft. housing.



Photometric Data:



LIGHTING SCIENCES CANADA LTD.

440 Phillip St., Unit 19, Waterloo, Ont., Canada N2L 5R9
 Tel: (519) 746-3140 Fax: (519) 746-3156

CERTIFIED TEST REPORT NO. LSC 1590
 COMPUTED BY LSC PROGRAM **TEST-LITE**

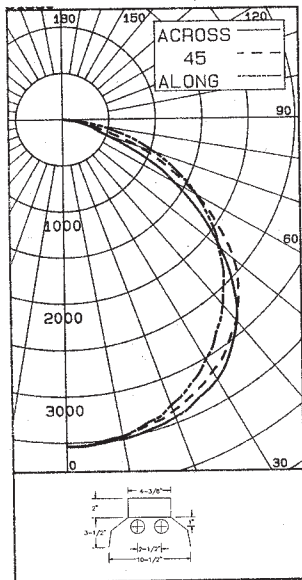
PEERLESS ELECTRIC FLUORESCENT FIXTURE MODEL NO. NIR-296
 WITH OPEN-ENDED WHITE REFLECTOR
 TWO F96T12/CW FLUORESCENT LAMPS. LUMEN RATING = 6300 LMS.

COEFFICIENTS OF UTILIZATION

ZONAL CAVITY METHOD

EFFECTIVE FLOOR CAVITY REFLECTANCE = 20%

CC WALL	80				70				50			
	70	50	30	10	70	50	30	10	50	30	10	
RCR												
0	.98	.98	.98	.98	.95	.95	.95	.95	.91	.91	.91	
1	.90	.87	.83	.81	.88	.85	.82	.79	.81	.79	.77	
2	.83	.77	.72	.67	.81	.75	.70	.66	.72	.68	.65	
3	.76	.68	.62	.57	.74	.67	.61	.56	.64	.59	.55	
4	.70	.60	.54	.48	.68	.59	.53	.48	.57	.52	.47	
5	.64	.53	.46	.41	.62	.52	.46	.41	.51	.45	.40	
6	.59	.48	.41	.36	.57	.47	.40	.35	.45	.39	.35	
7	.54	.43	.36	.31	.52	.42	.35	.31	.41	.35	.30	
8	.49	.38	.31	.27	.48	.38	.31	.26	.37	.31	.26	
9	.45	.34	.28	.23	.44	.34	.27	.23	.33	.27	.23	
10	.42	.31	.24	.20	.41	.31	.24	.20	.30	.24	.20	



CANDLEPOWER SUMMARY					OUTPUT LUMENS
ANGLE	ALONG	22.5	45	67.5	
0	3537	3537	3537	3537	3537
5	3522	3490	3531	3547	3530
10	3483	3456	3485	3531	3514
15	3399	3409	3425	3496	3475
20	3299	3317	3366	3444	3433
25	3172	3187	3273	3374	3347
30	3014	3069	3160	3258	3259
35	2832	2898	3030	3119	3087
40	2640	2726	2864	2891	2870
45	2421	2506	2640	2613	2554
50	2159	2291	2372	2257	2183
55	1912	2044	2011	1859	1788
60	1639	1773	1639	1455	1371
65	1340	1454	1236	1048	951
70	1031	1093	851	581	505
75	727	723	428	328	332
80	410	385	251	204	194
85	125	161	128	83	61
90	3	69	40	2	0

ZONAL LUMENS AND PERCENTAGES			
ZONE	LUMENS	% LAMP	% LUMINAIRE
0-30	2823	22.41	27.33
0-40	4702	37.32	45.53
0-60	8416	66.80	81.48
0-90	10329	81.98	100.00
40-90	5626	44.66	54.47
60-90	1913	15.18	18.52
90-180	0	.00	.00
0-180	10329	81.98	100.00

** EFFICIENCY = 82.0% **

LUMINANCE SUMMARY - CD. / SQ. M.

ANGLE	ALONG	45	ACROSS
45	10558	11792	11996
55	9992	10843	10355
65	9073	8742	7474
75	7310	4596	4255
85	2584	3059	2308

PAINT REFLECTANCE = .93 S/MH = 1.4
 SC(ALONG) = 1.3, SC(ACROSS) = 1.4
 CERTIFIED BY:

Ray Schaller DATE: NOV 19, 1987
 PREPARED FOR:
 PEERLESS ELECTRIC COMPANY LTD.
 MONTREAL, QUEBEC

TESTED ACCORDING TO IES PROCEDURES. TEST DISTANCE = 8 METERS (26 FT.)

PEERLESS ELECTRIC CO. LTD

9145 BOVIN, LASALLE, QUE. H8R 2E5 TEL. (514) 595-1671
 161 BARTLEY DRIVE, TORONTO, ONT. M4A 1E6 TEL. (416) 751-5644