



LXHL

CONCEPT

The LXHL is a **LED luminaire** for **surface** installation. Durable shielding of clear prismatic acrylic diffuser supplied as standard. Rigid one-piece body constructed from code gauge steel. Lens is held within a hinged steel frame. Cam latch release opens frame for easy servicing. Retaining hook prevents the frame from disengaging accidentally when open. No visible hardware. Provides soft and uniform illumination. Ideal as general lighting for commercial office spaces, classrooms and retail spaces.

CERTIFICATION

Approved to UL1598 and CSA C22.2 No. 250 standards**

Suitable for damp locations.



*LED Five (5) year limited warranty. ***Complies with Buy American Act.

**Operating temperature: -20°C to +35°C / -4°F to +95°F, consult factory for operating temperatures outside the listed range.

Specifications are subject to change. Please confirm latest specifications prior to placing order.



STRUCTURE

Body

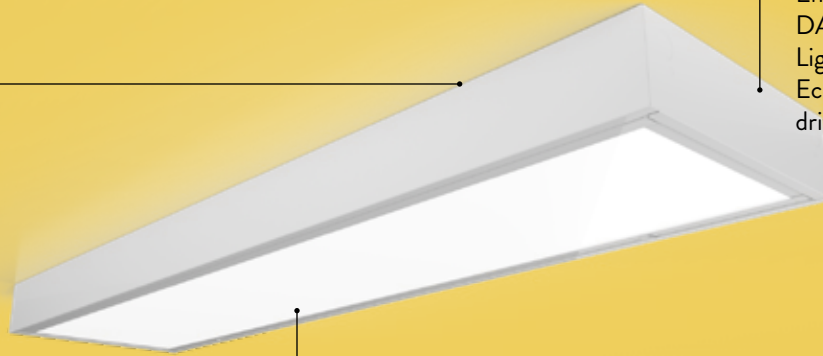
Rigid one-piece body constructed from code gauge steel. Lens is held within a hinged steel frame. Cam latch release opens frame for easy servicing. Retaining hook prevents the frame from disengaging accidentally when open. No visible hardware.

LED Driver

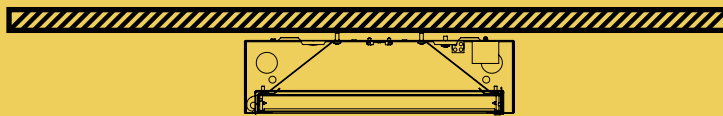
1% Dimming (0-10V).
Emergency driver available.
DALI (Digital Addressable Lighting Interface), Lutron EcoSystem LED, and other drivers available, consult factory.

Advanced Optics

Durable shielding of clear prismatic acrylic diffuser supplied as standard. Other options are available.



MOUNTING



SURFACE



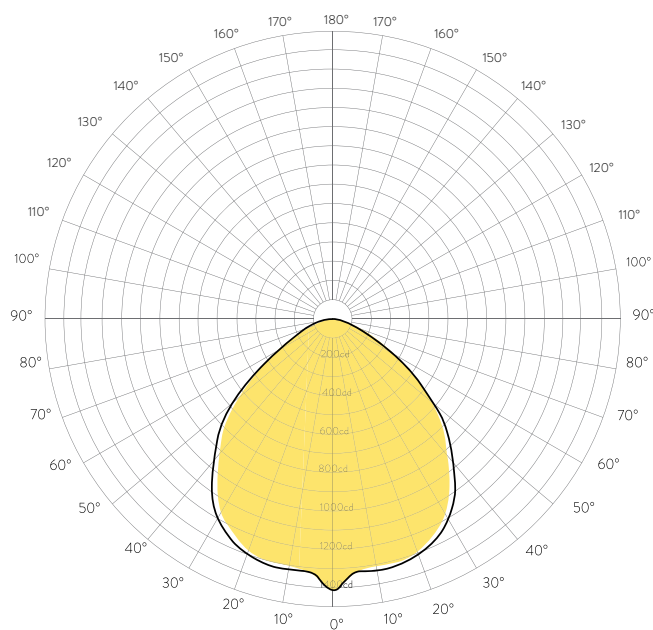


CLEAN AND DURABLE DESIGN

Using advanced LED engines, it provides soft and uniform illumination.

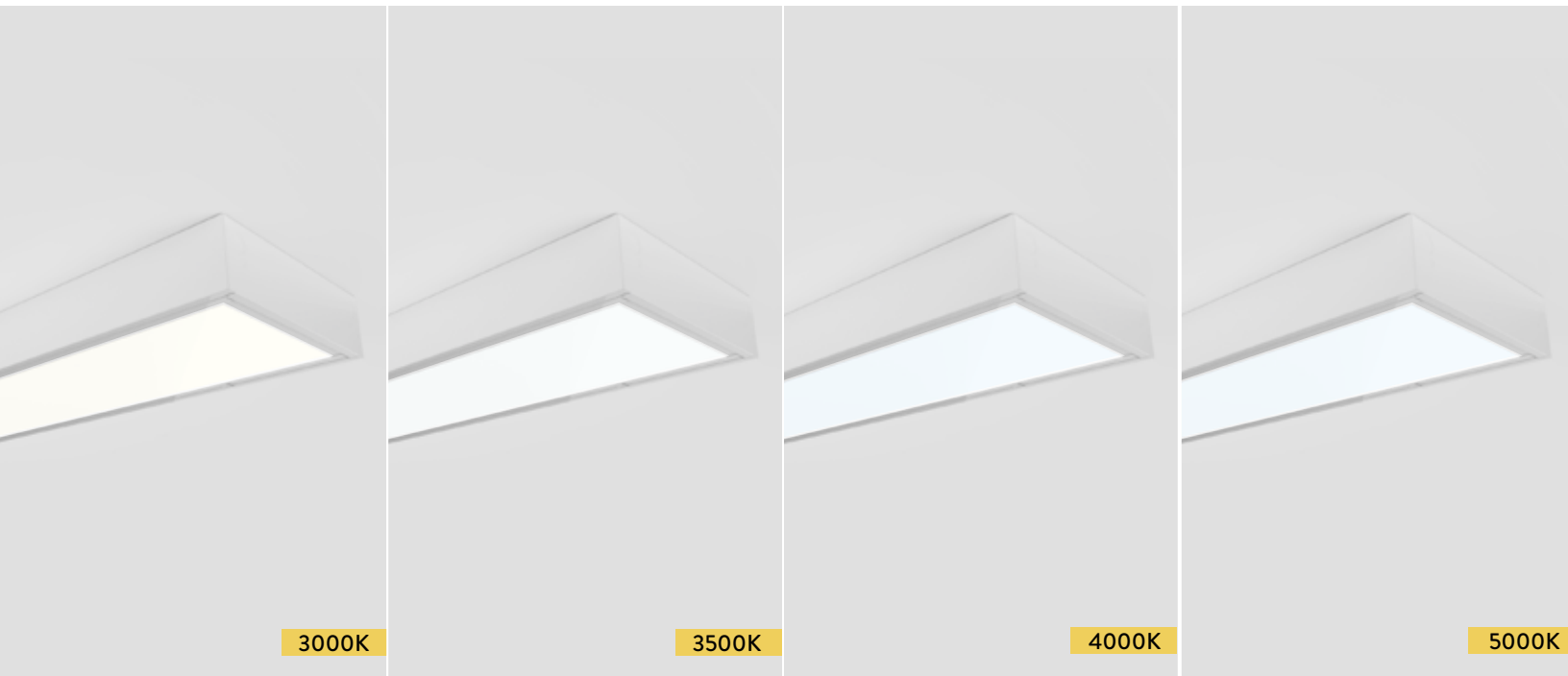


PHOTOMETRIC DATA



LXHL-22-32-40K

0°-180° █
90°-270° █



TUNABLE WHITE FUNCTION OPTIONS

Available in 3000K, 3500K, 4000K and 5000K



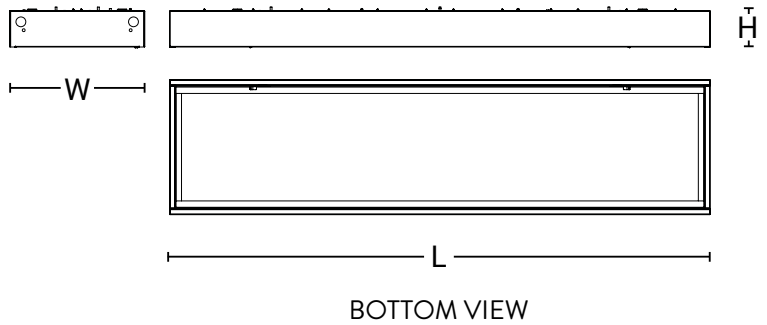
COLOR

Standard finish is matte white polyester baked powder coat enamel. Matte grey and black available.



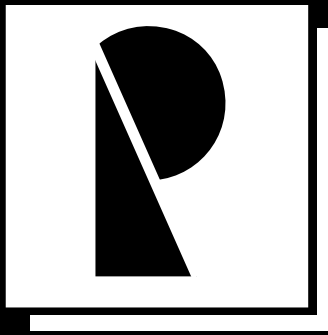
DIMENSIONS

SIZE	L	W	H
14	4'	1'	3.25"
22	2'	2'	3.25"
24	4'	2'	3.25"



ORDERING INFORMATION

LXHL	FIXTURE	SIZE	LUMENS	CCT	SHIELDING	CONTROLS *OPTIONAL*	DRIVER							
LXHL = Lached, Hooked Lens	14 = 1' x 4'	30 = 3000lm	30K = 3000K	12 = Clear Prismatic Acrylic	OC = On / Off Occupancy Control	MV = Standard 120V-277V 1% Dimming (0-10V)								
							22 = 2' x 2'	32 = 3200lm	35K = 3500K	12F = Frosted Prismatic Acrylic	O5 = 100% - 50% Hi / Low Occupancy Control	347 = Standard 347V Dimming (0-10V)		
													24 = 2' x 4'	46 = 4600lm
	40 = 4000lm	50K = 5000K	FOA = Flat Opal Acrylic											
				48 = 4800lm	12P = Clear Prismatic Polycarbonate 0.125in THK	X = DALI, Lutron EcoSystem LED, and other drivers available, consult factory								
							64 = 6400lm	125 = Clear Prismatic Acrylic 0.125in THK						
									82 = 8200lm					
	90 = 9000lm													



OFFICE:

255-438 Isabey
St-Laurent, QC H4T 1V3
T: 514.595.1671
F: 514.595.4411

PRODUCTION:

2900 Loyalist Str.
Cornwall, ON K6H 6C8
T: 613.510.1268
F: 613.510.1268

info@peerless-electric.com
Peerless-Electric.com