

PROJET:	DATE:
CAT. NO.:	TYPE:
NOTES	VOLTS:

GENERAL

Recessed fluorescent luminaire for T-grid ceilings. 3 3/8" shallow profile. Clear acrylic prismatic diffuser (supplied as standard) is held within a hinged steel frame. Cam latch release opens frame for easy servicing; positive action, no springs. Retaining hook prevents the hinged frame from disengaging accidentally when open. No visible hardware. Drywall frame kit available.

CONSTRUCTION

Rigid one-piece body constructed from code gauge steel.

FINISH

Standard finish is baked white enamel.

SHIELDING

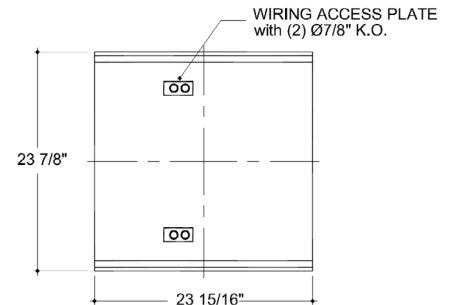
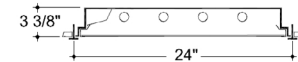
No. 12 clear acrylic prismatic diffuser supplied as standard. Other options available.

ELECTRICAL

Instant start electronic ballast, 120V-50/60Hz. Other ballasts and voltages available upon request.

CERTIFICATIONS

CSA and/or UL approved.



Ordering Information

LACH3	22G							
SERIES	SIZE	LAMPS	WATTS	SHIELDING	REFLECTOR OPTION	DRYWALL OPTION	VOLTAGE	BALLAST / DRIVER
	2' x 2' T-bar ceiling	2 3 4	14 = 14W (T5) 24 = 24W (T5HO)* 17 = 17W (T8) 31 = 31W (T8 U-1 5/8") * 32 = 32W (T8 U-6") ** 40X = 40W (TT5 Biax) *	12 = #12 lens 12.125 = #12 lens (0.125") 19 = #19 lens P2A = P2A louver SLA = Acrylic Silver louver	M4 = Specular insert	FK = Drywall Frame Kit ***	120 277 347	IS PRS RS

* 2 or 3 lamps only

** 2 lamps only

*** Ceiling opening: 24 3/4" x 24 3/4"
O/A flange: 25 3/8" x 25 1/4"