

| | |
|-----------|--------|
| PROJET: | DATE: |
| CAT. NO.: | TYPE: |
| NOTES | VOLTS: |

GENERAL

Recessed fluorescent luminaire for T-grid ceilings. 3 3/8" shallow profile. Clear acrylic prismatic diffuser (supplied as standard) is held within a hinged steel frame. Cam latch release opens frame for easy servicing; positive action, no springs. Retaining hook prevents the hinged frame from disengaging accidentally when open. No visible hardware. Drywall frame kit available.

CONSTRUCTION

Rigid one-piece body constructed from code gauge steel.

FINISH

Standard finish is baked white enamel.

SHIELDING

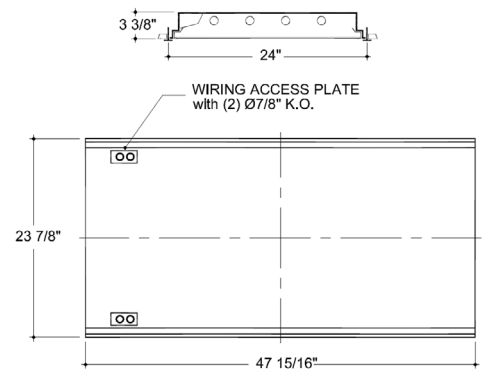
No. 12 clear acrylic prismatic diffuser supplied as standard. Other options available.

ELECTRICAL

Instant start electronic ballast, 120V-50/60Hz. Other ballasts and voltages available upon request.

CERTIFICATIONS

CSA and/or UL approved.



Ordering Information

| LACH3 | 24G | | | | | | | |
|-----------------------|---------------|---|---|----------------------|---------------------------|-------------------|-----------------|------------------|
| SERIES | SIZE | LAMPS | WATTS | SHIELDING | REFLECTOR OPTION | DRYWALL OPTION | VOLTAGE | BALLAST / DRIVER |
| 2' x 4' T-bar ceiling | 2 3 4 * | 28 = 28W (T5) 54 = 54W (T5HO) 32 = 32W (T8) | 12 = #12 lens 12.125 = #12 lens (0.125") 19 = #19 lens P2A = P2A louver SLA = Acrylic Silver louver | M4 = Specular insert | FK = Drywall Frame Kit ** | 120 277 347 | IS PRS RS | |

* Not available for T5HO

** Ceiling opening: 24 3/4" x 48 3/4"
O/A flange: 25 3/8" x 49 1/4"