

PROJECT:
 CAT.NO:
 NOTES:

DATE:
 TYPE:
 VOLTS:

2019-04-29

LDXI

CAT NO: **LDXI-4-60-XX-XX-XXK-FA-XX-MV**

CONFIGURATION

LENGTH: 4 = 4 ft
 WIDTH: 60 = 60mm
 DISTRIBUTION: N/A
 LUMENS: N/A
 CCT: N/A
 SHIELDING: FA = Snap-In Flat Frosted Acrylic
 FINISH: N/A
 DRIVER: MV = Standard 120V-277V Dimming (0-10v)

TECHNICAL DATA

LUMENS: N/A lm
 CCT: N/A K
 WATTAGE: N/A W
 EFFICACY: N/A lm/W



Approved to UL1598 and CSA C22.2 No.250 standards
 *LED Five (5) year limited warranty.
 **Not all available products are DLC qualified. Check the DLC Qualified Products List at designlights.org to confirm which versions are qualified.

ANATOMY

HIGH PERFORMANCE LENS

Snap-in flat frosted acrylic lens

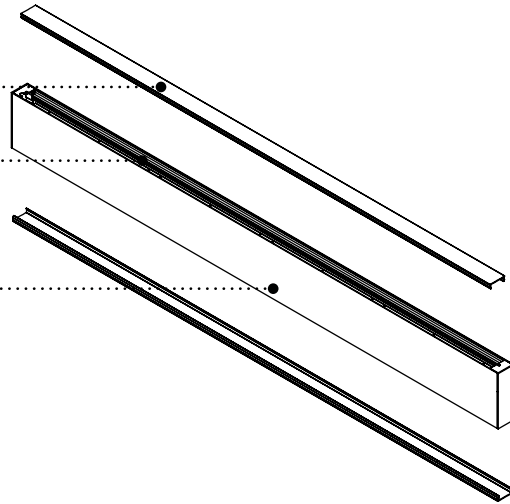
LED LIGHT ENGINE

Mounted on internal high reflectance white painted reflector

ALUMINUM EXTRUSION HOUSING

Standard finish is high gloss white polyester baked powder coat enamel

*Other colours available. Consult factory.



SECTION VIEW

LED LIGHT ENGINE

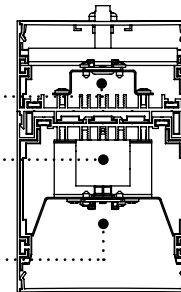
Mounted on internal high reflectance white painted reflector

LED DRIVER

Dimming 0-10V

LED LIGHT ENGINE

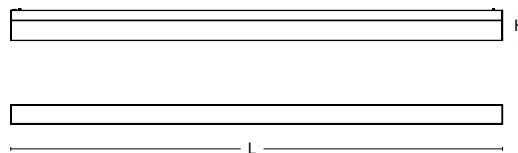
Mounted on internal high reflectance white painted reflector



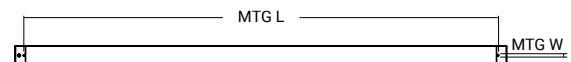
DIMENSIONS

SIZE	L	W	H
4FT	48.20"	2.35"	3.40"

MTG L	MTG W
ADJUSTABLE	1.20"



BOTTOM VIEW



TOP VIEW