

PROJECT:  
 CAT.NO:  
 NOTES:

DATE:  
 TYPE:  
 VOLTS:

2019-04-29

# LDXR

CAT NO: **LDXR-40-4-XX-XX-XXK-FA-MV**

## CONFIGURATION

WIDTH: 40 = 40 mm  
 LENGTH: 4 = 4ft  
 MOUNTING: N/A  
 LUMENS: N/A  
 CCT: N/A  
 SHIELDING: FA = Snap-in Flat Frosted Acrylic  
 DRIVER: MV = Standard 120V-277V Dimming (0-10v)

## TECHNICAL DATA

LUMENS: N/Alm  
 CCT: N/AK  
 WATTAGE: N/AW  
 EFFICACY: N/Alm/W



Approved to UL1598 and CSA C22.2 No.250 standards  
 \*LED Five (5) year limited warranty.  
 \*\*Not all available products are DLC qualified. Check the DLC Qualified Products List at [designlights.org](http://designlights.org) to confirm which versions are qualified.

## ANATOMY

### HIGH PERFORMANCE LENS

Snap-in flat frosted acrylic lens

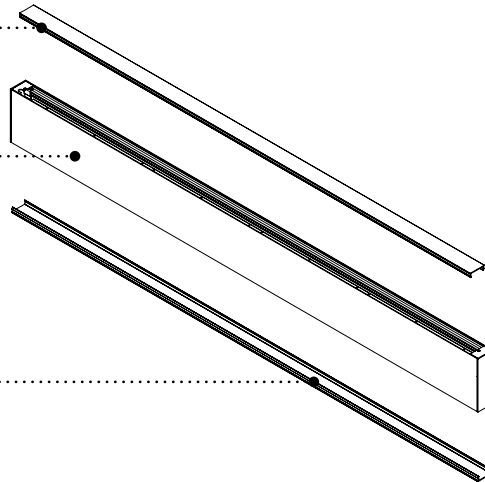
### DIE-FORMED STEEL HOUSING

Standard finish is high gloss white polyester baked powder coat enamel

\*Other colours available. Consult factory.

### HIGH PERFORMANCE LENS

Snap-in flat frosted acrylic lens



## SECTION VIEW

### LED LIGHT ENGINE

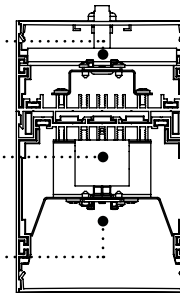
Mounted on internal high reflectance white painted reflector

### LED DRIVER

Dimming 0-10V

### LED LIGHT ENGINE

Mounted on internal high reflectance white painted reflector



## DIMENSIONS

### LDXR-40

SIZE	L	W	H	MTG L	MTG W
4FT	47.75"	1.55"	4.70"	48.00"	2.50"

\*Dimensions for LDXR-40. See [www.peerless-electric.com](http://www.peerless-electric.com) for all other dimensions.

