

PROJECT:
 CAT.NO:
 NOTES:

DATE:
 TYPE:
 VOLTS:

2019-04-29

PNLP

CAT NO: PNL-14G-XXW-XXK-MV3

CONFIGURATION

SIZE: 14G = 1' x 4'
 WATTAGE: N/A
 CCT: N/A
 DRIVER: MV3 = 120V-347V Dimming (0-10V)

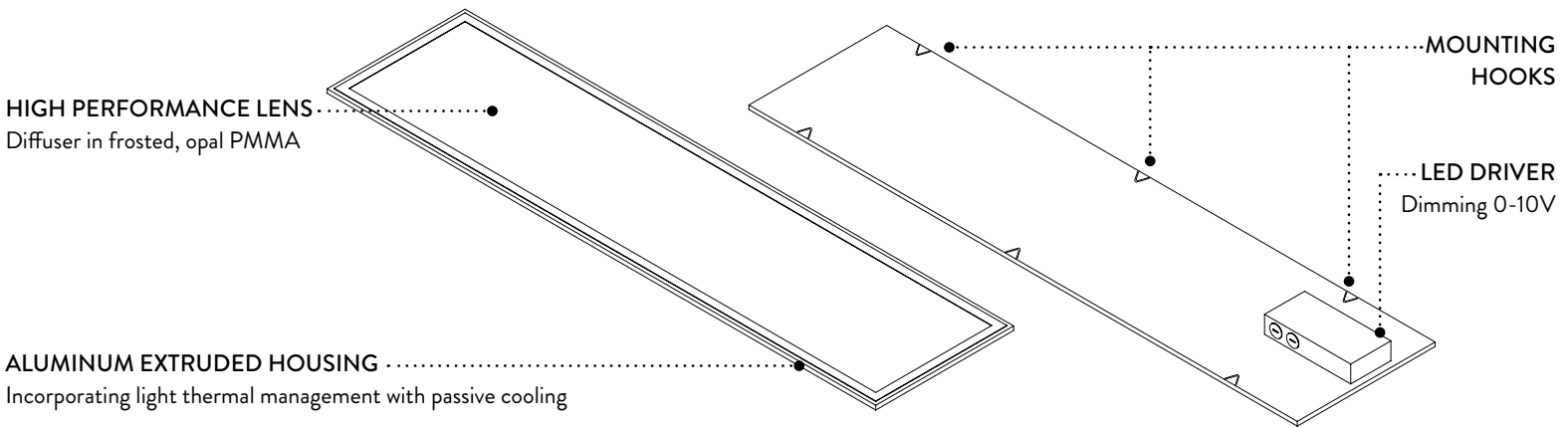
TECHNICAL DATA

LUMENS: N/A lm
 CCT: N/A K
 WATTAGE: N/A W
 EFFICACY: N/A lm/W



Approved to UL1598 and CSA C22.2 No.250 standards
 *LED Five (5) year limited warranty.
 **Not all available products are DLC qualified. Check the DLC Qualified Products List at designlights.org to confirm which versions are qualified.

ANATOMY



DIMENSIONS

SIZE	L	W	H	H1
14G	4.00'	1.00'	0.40"	1.90" *including driver*

