

PROJECT:
CAT.NO:
NOTES:

DATE:
TYPE:
VOLTS:

EVALUX
SERIES

2019-04-29

SDLE-3-1ACF

CAT NO: SDLE-3-1ACF-24G-XXW-XXK-XX

CONFIGURATION

STYLE: 3
SHIELDING: 1ACF = 1 Acrylic Frosted Lens
SIZE: 24G = 2' x 4' T-Bar Ceiling
WATTAGE: N/A
CCT: N/A
DRIVER: N/A

TECHNICAL DATA

LUMENS: N/A lm
CCT: N/A K
WATTAGE: N/A W
EFFICACY: N/A lm/W



Approved to UL1598 and CSA C22.2 No.250 standards

*LED Five (5) year limited warranty.

**Not all available products are DLC qualified. Check the DLC Qualified Products List at designlights.org to confirm which versions are qualified.

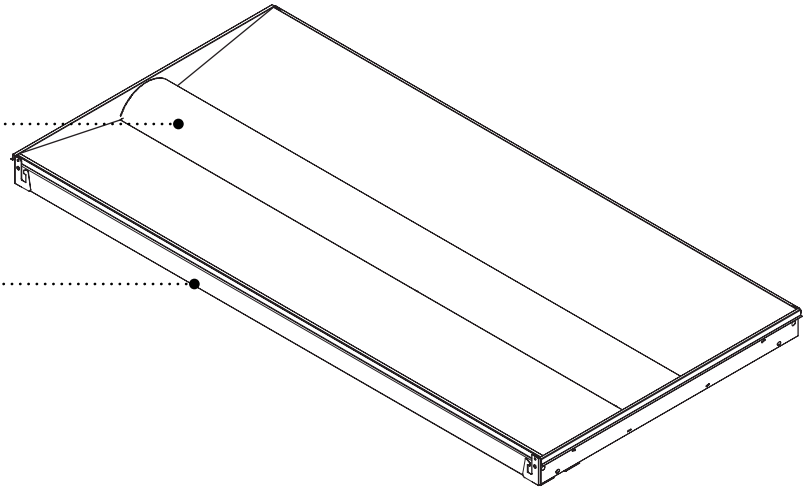
ANATOMY

HIGH PERFORMANCE LENS

Extruded frosted acrylic lens ribbed on inside

DIE-FORMED STEEL HOUSING

High gloss white polyester baked powder coat enamel finish



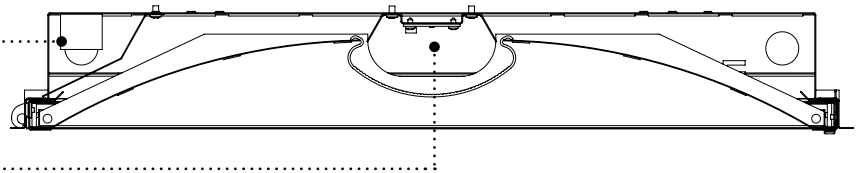
SECTION VIEW

LED DRIVER

Dimming 0-10V

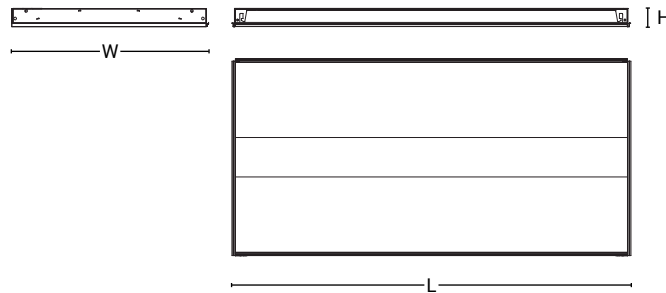
LED LIGHT ENGINE

Mounted on internal high reflectance white painted reflector



DIMENSIONS

SIZE	L	W	H
24G	48.05"	23.50"	2.20"



BOTTOM VIEW