

PROJECT:
 CAT.NO:
 NOTES:

DATE:
 TYPE:
 VOLTS:

2019-04-29

SVT

CAT NO: **SVT-4-XX-XXK-XX-X-MV**

CONFIGURATION

LENGTH: 4 = 4'
 LUMENS: N/A
 CCT: N/A
 SHIELDING: N/A
 FINISH: N/A
 DRIVER: MV = Standard 120V-277V Dimming (0-10v)

TECHNICAL DATA

LUMENS: N/Alm
 CCT: N/AK
 WATTAGE: N/AW
 EFFICACY: N/Alm/W



Approved to UL1598 and CSA C22.2 No.250 standards
 *LED Five (5) year limited warranty.
 **Not all available products are DLC qualified. Check the DLC Qualified Products List at designlights.org to confirm which versions are qualified.

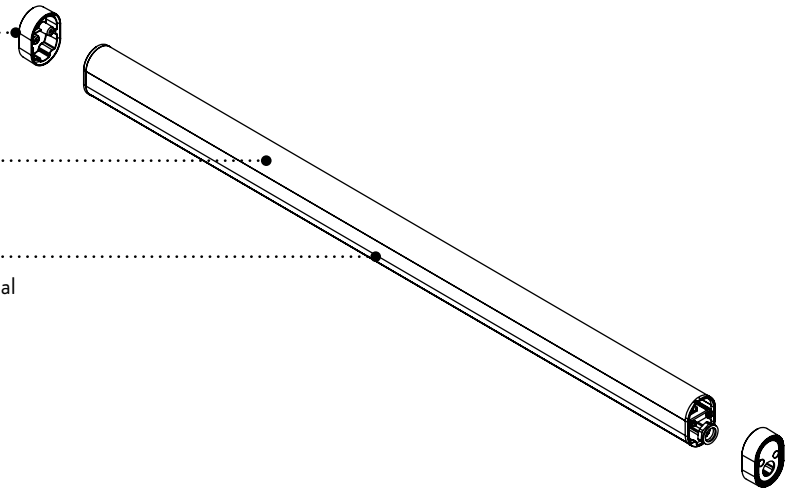
ANATOMY

END CAPS
 Injection molded

HIGH PERFORMANCE LENS
 Frosted ribbed polycarbonate

HOUSING
 One piece body construction with anti-UV and V2 fireproof PC material
 Standard finish is high gloss white polyester baked powder coat enamel

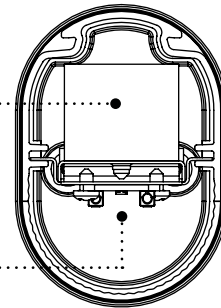
*Other colours available. Consult factory.



SECTION VIEW

LED DRIVER
 Dimming 0-10V.....

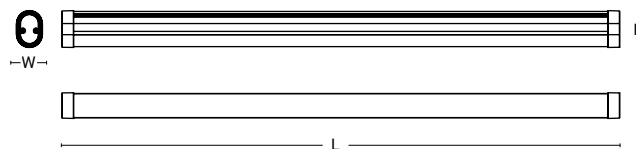
LED LIGHT ENGINE
 Mounted on internal high reflectance white painted reflector



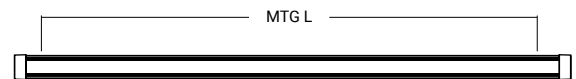
DIMENSIONS

SIZE	L(in)	W(in)	H(in)
4FT	47.00"	2.15"	3.10"

MTG L
 ADJUSTABLE



BOTTOM VIEW



TOP VIEW