

PROJECT:  
CAT.NO:  
NOTES:

DATE:  
TYPE:  
VOLTS:

# GP-15

Gymnasium / Protective / 15" Width

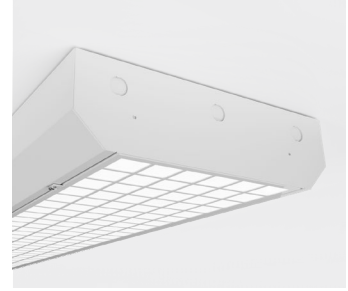


## GENERAL DESCRIPTION

LED luminaire for **surface** or **suspended** installation with field adjustable aircraft cables or v-links for mounting chain.

Ideal for gymnasiums, recreational areas and other commercial environments.

Row mounting available, consult factory.



2019-05-09

## CONSTRUCTION

Rigid one-piece body constructed from code gauge steel.

## FINISH

Standard finish is high gloss white polyester baked powder coat enamel.



Other colours available. Consult factory.

## CERTIFICATION

Approved to UL1598 and CSA C22.2 No. 250 standards\*\*  
Suitable for damp locations.



\*LED Five (5) year limited warranty.  
\*\*Normal temperature: -20 degrees Celsius to +25 degrees Celsius.

## SHIELDING

A hinged and framed wireguard reinforced for added strength with a durable #12 clear prismatic acrylic lens. Other shielding materials without wireguard are available.

## ELECTRICAL

3500K   4000K   5000K

120V - 277V   347V

L80 performance at 60,000 hours minimum. 80 CRI Standard.  
Other dimming options, lumen options, 90CRI and lengths available.  
Consult factory.

Specifications are subject to change.  
Please confirm latest specifications prior to placing order.

## ORDERING INFORMATION

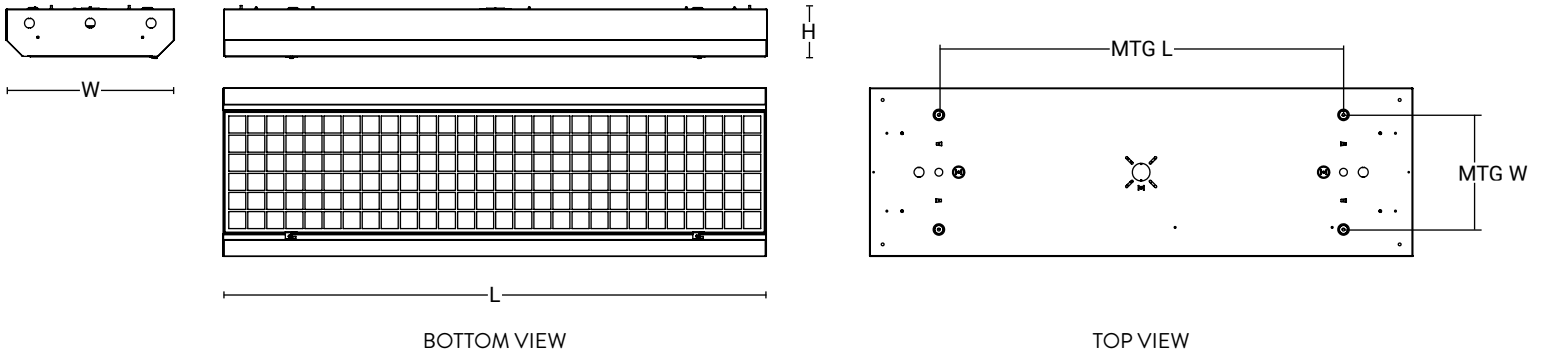
GP	15						
WIDTH	LENGTH	LUMENS	CCT	*OPTION*	SHIELDING	DRIVER	
15 = 15"	4 = 4ft	44 = 4400lm 60 = 6000lm	35K = 3500K 40K = 4000K 50K = 5000K	WG = Wireguard	12 = Clear Prismatic Acrylic 12F = Frosted Prismatic Acrylic 19 = Clear Prismatic #19 Acrylic 19F = Frosted Prismatic #19 Acrylic FA = Flat Frosted Acrylic 12P = Clear Prismatic Polycarbonate 0.125in THK 125 = Clear Prismatic Acrylic 0.125in THK PC = Clear Polycarbonate 0.125in THK	MV = Standard 120V-277V Dimming (0-10V) 347 = Standard 347V Dimming (0-10V)  *emergency driver available, consult factory	
	8 = 8ft	60 = 6000lm 88 = 8800lm 120 = 12000lm					

# GP-15

## DIMENSIONS

2019-06-10

SIZE	L	W	H	MTG L	MTG W
4FT	48.00"	14.90"	4.20"	35.75"	10.10"
8FT	95.90"	14.90"	4.20"	71.90"	10.10"

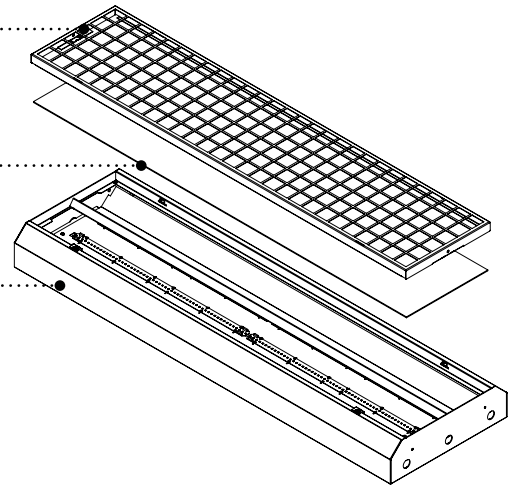


## ANATOMY

**PROTECTIVE WIREGUARD** .....  
White painted cold-formed 18 gauge steel frame  
\*Optional

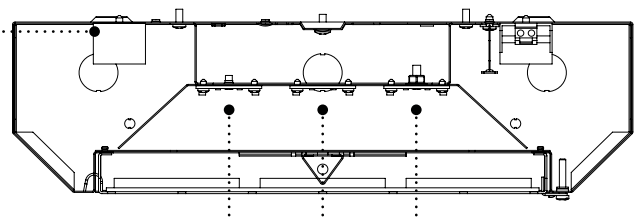
**HIGH PERFORMANCE LENS** .....

**DIE-FORMED STEEL HOUSING** .....  
Standard finish is high gloss white polyester baked powder coat enamel  
\*Other colours available. Consult factory.



**LED DRIVER** .....  
Dimming 0-10V

**LED LIGHT ENGINE** .....  
Mounted on internal high reflectance white painted reflector



PROJECT:  
CAT.NO:  
NOTES:

DATE:  
TYPE:  
VOLTS:

**PEERLUX**<sup>®</sup>  
SERIES

# GP-15

## WATTAGE & EFFICACY

2019-07-05

CATALOGUE NUMBER	LUMENS (lm)	CCT (K)	WATTAGE (W)	EFFICACY (lm/W)
GP-15-4-44-35K-12	4400	3500K	41	108
GP-15-4-44-40K-12	4400	4000K	39	112
GP-15-4-44-50K-12	4400	5000K	39	113
GP-15-4-60-35K-12	6000	3500K	53	114
GP-15-4-60-40K-12	6000	4000K	51	118
GP-15-4-60-50K-12	6000	5000K	51	120
GP-15-8-60-35K-12	6000	3500K	54	111
GP-15-8-60-40K-12	6000	4000K	52	115
GP-15-8-60-50K-12	6000	5000K	52	116
GP-15-8-88-35K-12	8800	3500K	81	108
GP-15-8-88-40K-12	8800	4000K	79	112
GP-15-8-88-50K-12	8800	5000K	78	113
GP-15-8-120-35K-12	12000	3500K	105	115
GP-15-8-120-40K-12	12000	4000K	101	119
GP-15-8-120-50K-12	12000	5000K	100	120

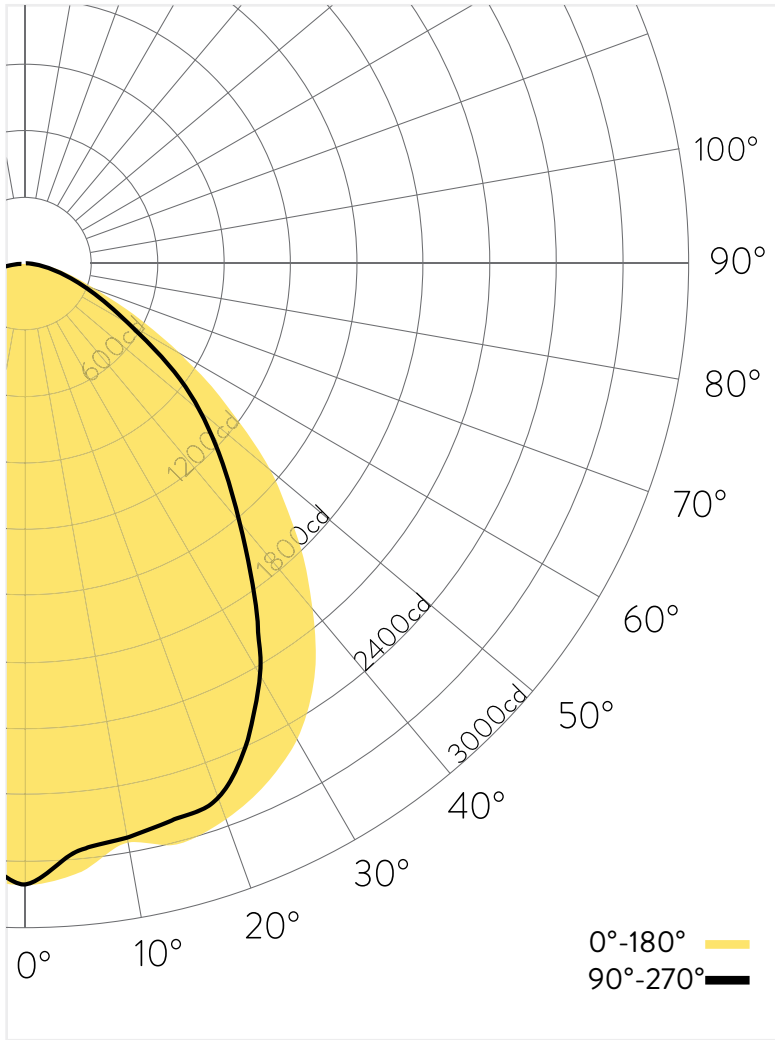
PROJECT:  
CAT.NO:  
NOTES:

DATE:  
TYPE:  
VOLTS:

# GP-15

2019-05-07

CAT NO: GP-15-4-60-35K



## INDOOR CU TABLE

	<b>pfc</b>	20.00%	20.00%	20.00%	20.00%	20.00%	20.00%	20.00%	20.00%	20.00%	20.00%	20.00%	20.00%	20.00%	20.00%	20.00%
	<b>pcc</b>	80.00%	80.00%	80.00%	80.00%	70.00%	70.00%	70.00%	70.00%	50.00%	50.00%	50.00%	30.00%	30.00%	30.00%	10.00%
	<b>pw</b>	70.00%	50.00%	30.00%	10.00%	70.00%	50.00%	30.00%	10.00%	50.00%	30.00%	10.00%	50.00%	30.00%	10.00%	50.00%
	<b>0.00</b>	91.16	91.16	91.16	91.16	89.04	89.04	89.04	89.04	85.07	85.07	85.07	81.44	81.44	81.44	78.10
	<b>1.00</b>	84.50	81.36	78.54	76.00	82.48	79.64	77.09	74.77	76.43	74.33	72.42	73.47	71.78	70.21	70.75
	<b>2.00</b>	77.89	72.38	67.83	64.00	75.96	70.97	66.79	63.25	68.31	64.81	61.79	65.86	62.95	60.40	63.60
	<b>3.00</b>	71.81	64.66	59.13	54.72	70.01	63.48	58.36	54.23	61.27	56.89	53.29	59.22	55.51	52.39	57.32
	<b>4.00</b>	66.34	58.09	52.05	47.44	64.68	57.11	51.47	47.12	55.25	50.36	46.49	53.53	49.30	45.88	51.92
<b>RCR</b>	<b>5.00</b>	61.45	52.50	46.24	41.63	59.93	51.67	45.80	41.41	50.10	44.93	40.97	48.64	44.11	40.55	47.28
	<b>6.00</b>	57.09	47.72	41.43	36.91	55.70	47.02	41.08	36.76	45.68	40.39	36.45	44.44	39.74	36.15	43.28
	<b>7.00</b>	53.19	43.61	37.39	33.04	51.93	43.01	37.11	32.92	41.87	36.56	32.70	40.81	36.04	32.48	39.81
	<b>8.00</b>	49.72	40.06	33.98	29.81	48.58	39.55	33.75	29.72	38.57	33.31	29.55	37.65	32.88	29.39	36.79
	<b>9.00</b>	46.61	36.97	31.07	27.08	45.57	36.53	30.88	27.02	35.69	30.51	26.89	34.89	30.16	26.76	34.14
	<b>10.00</b>	43.82	34.28	28.57	24.77	42.88	33.90	28.41	24.71	33.16	28.10	24.61	32.47	27.81	24.51	31.81