

PROJECT:
CAT.NO:
NOTES:

DATE:
TYPE:
VOLTS:

PNLV

Panel / V



GENERAL DESCRIPTION

LED luminaire for **recessed, surface** or **suspended** installation with optional surface mount box and v-hooks, consult factory.

Featuring a low profile with high performance, using the most advanced LED technology by delivering up to 130lm/W without glare.

Ideal for office spaces, schools, retail spaces and other commercial environments.

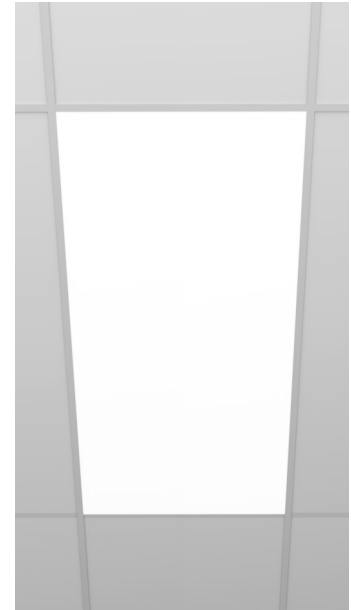
CONSTRUCTION

Made of aluminum extrusion, incorporating light thermal management with passive cooling.

SHIELDING

Impressive uniformity of light distribution with a high transmittance factor. Diffuser in frosted, opal PMMA.

ORDERING INFORMATION



2019-05-29

FINISH

Standard finish is high gloss white polyester baked powder coat enamel.



ELECTRICAL

3000K 3500K 4000K 5000K

120V - 277V 347V

L80 performance at 60,000 hours minimum. 80 CRI Standard.
Other dimming options, lumen options, 90 CRI and lengths available.
Consult factory.

CERTIFICATION

Approved to UL1598 and CSA C22.2 No. 250 standards**
Suitable for damp locations.



*LED Five (5) year limited warranty.
**Normal temperature: -20 degrees Celsius to +25 degrees Celsius.
***Not all available products are DLC qualified. Check the DLC Qualified Products List at designlights.org to confirm which versions are qualified.

Specifications are subject to change.
Please confirm latest specifications prior to placing order.

PNLV	SIZE	LUMENS	CCT	DRIVER
14G = 1' x 4'	30L = 3000lm	30K = 3000K	MV = Standard 120V-277V Dimming (0-10V)	
	22G = 2' x 2'	35L = 3500lm		35K = 3500K
	40L = 4000lm	40K = 4000K		
	45L = 4500lm	50K = 5000K		
24G = 2' x 4'	35L = 3500lm	*emergency driver available, consult factory		
	40L = 4000lm			
	45L = 4500lm			
	50L = 5000lm			
	65L = 6500lm			
	70L = 7000lm			

PROJECT:
 CAT.NO:
 NOTES:

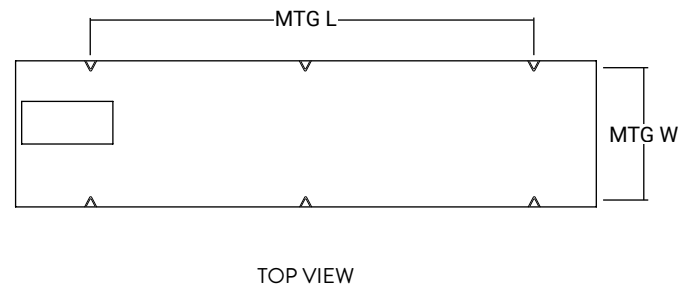
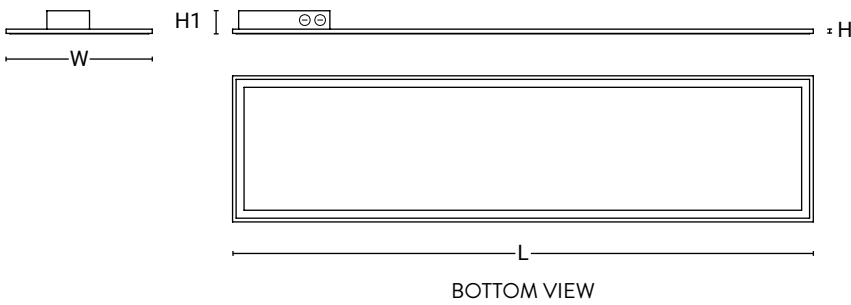
DATE:
 TYPE:
 VOLTS:

PNLV

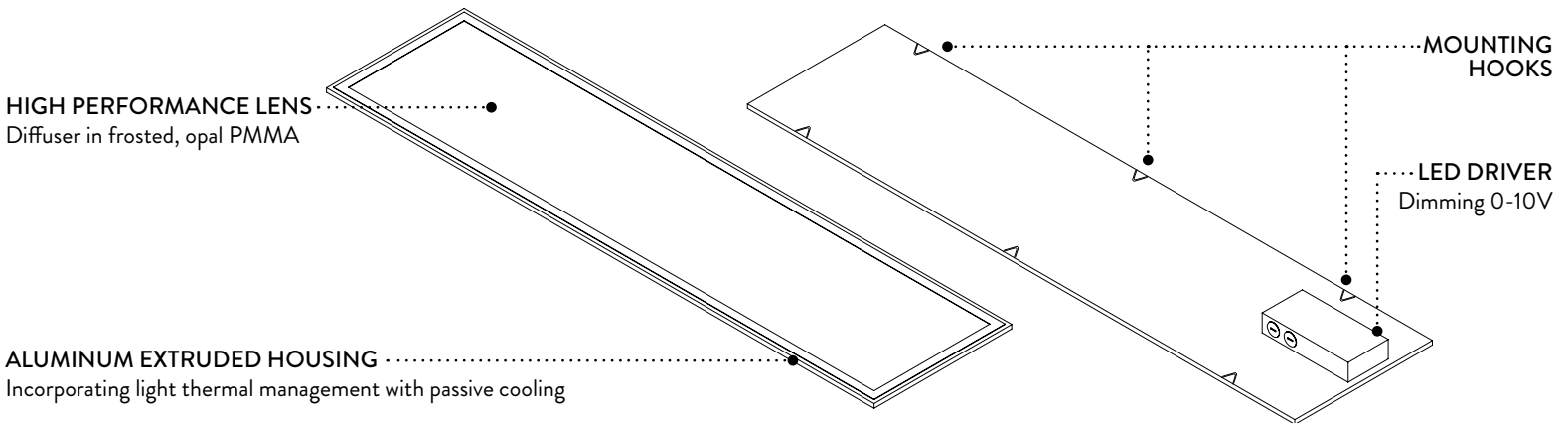
DIMENSIONS

2019-06-10

SIZE	L	W	H	H1	MTG L	MTG W
14G	4'	1'	0.50"	1.75"	43.25"	11.00"
22G	2'	2'	0.50"	1.75"	19.00"	22.75"
24G	4'	2'	0.50"	1.75"	37.00"	22.75"



ANATOMY



PROJECT:
CAT.NO:
NOTES:

DATE:
TYPE:
VOLTS:

PEERLUX[®]
SERIES

PNLV

WATTAGE & EFFICACY

2019-10-28

CATALOGUE NUMBER	LUMENS (lm)	CCT (K)	WATTAGE (W)	EFFICACY (lm/W)
PNLV-14G-30-30K	3000	3000K	27	113
PNLV-14G-30-35K	3000	3500K	26	117
PNLV-14G-30-40K	3000	4000K	26	117
PNLV-14G-30-50K	3000	5000K	26	117
PNLV-14G-35-30K	3500	3000K	31	113
PNLV-14G-35-35K	3500	3500K	30	117
PNLV-14G-35-40K	3500	4000K	30	117
PNLV-14G-35-50K	3500	5000K	30	117
PNLV-14G-40-30K	4000	3000K	36	113
PNLV-14G-40-35K	4000	3500K	35	116
PNLV-14G-40-40K	4000	4000K	35	117
PNLV-14G-40-50K	4000	5000K	35	117
PNLV-14G-45-30K	4500	3000K	40	112
PNLV-14G-45-35K	4500	3500K	40	115
PNLV-14G-45-40K	4500	4000K	40	115
PNLV-14G-45-50K	4500	5000K	40	115
PNLV-22G-30-30K	3000	3000K	27	111
PNLV-22G-30-35K	3000	3500K	26	115
PNLV-22G-30-40K	3000	4000K	26	117
PNLV-22G-30-50K	3000	5000K	26	117
PNLV-22G-35-30K	3500	3000K	31	112
PNLV-22G-35-35K	3500	3500K	30	116
PNLV-22G-35-40K	3500	4000K	30	118
PNLV-22G-35-50K	3500	5000K	30	118
PNLV-22G-40-30K	4000	3000K	36	111
PNLV-22G-40-35K	4000	3500K	35	115
PNLV-22G-40-40K	4000	4000K	35	117
PNLV-22G-40-50K	4000	5000K	35	117
PNLV-22G-45-30K	4500	3000K	40	110
PNLV-22G-45-35K	4500	3500K	40	114
PNLV-22G-45-40K	4500	4000K	40	116
PNLV-22G-45-50K	4500	5000K	40	116
PNLV-24G-35-30K	3500	3000K	29	122

PROJECT:
CAT.NO:
NOTES:

DATE:
TYPE:
VOLTS:

PEERLUX[®]
SERIES

PNLV

WATTAGE & EFFICACY

2019-10-28

CATALOGUE NUMBER	LUMENS (lm)	CCT (K)	WATTAGE (W)	EFFICACY (lm/W)
PNLV-24G-35-35K	3500	3500K	26	138
PNLV-24G-35-40K	3500	4000K	26	138
PNLV-24G-35-50K	3500	5000K	26	138
PNLV-24G-40-30K	4000	3000K	33	123
PNLV-24G-40-35K	4000	3500K	29	137
PNLV-24G-40-40K	4000	4000K	29	139
PNLV-24G-40-50K	4000	5000K	29	139
PNLV-24G-45-30K	4500	3000K	37	122
PNLV-24G-45-35K	4500	3500K	33	139
PNLV-24G-45-40K	4500	4000K	33	136
PNLV-24G-45-50K	4500	5000K	33	139
PNLV-24G-50-30K	5000	3000K	42	121
PNLV-24G-50-35K	5000	3500K	37	138
PNLV-24G-50-40K	5000	4000K	37	138
PNLV-24G-50-50K	5000	5000K	37	138
PNLV-24G-65-30K	6500	3000K	55	118
PNLV-24G-65-35K	6500	3500K	49	135
PNLV-24G-65-40K	6500	4000K	49	132
PNLV-24G-65-50K	6500	5000K	49	135
PNLV-24G-70-30K	7000	3000K	N/A	N/A
PNLV-24G-70-35K	7000	3500K	53	133
PNLV-24G-70-40K	7000	4000K	53	131
PNLV-24G-70-50K	7000	5000K	53	133

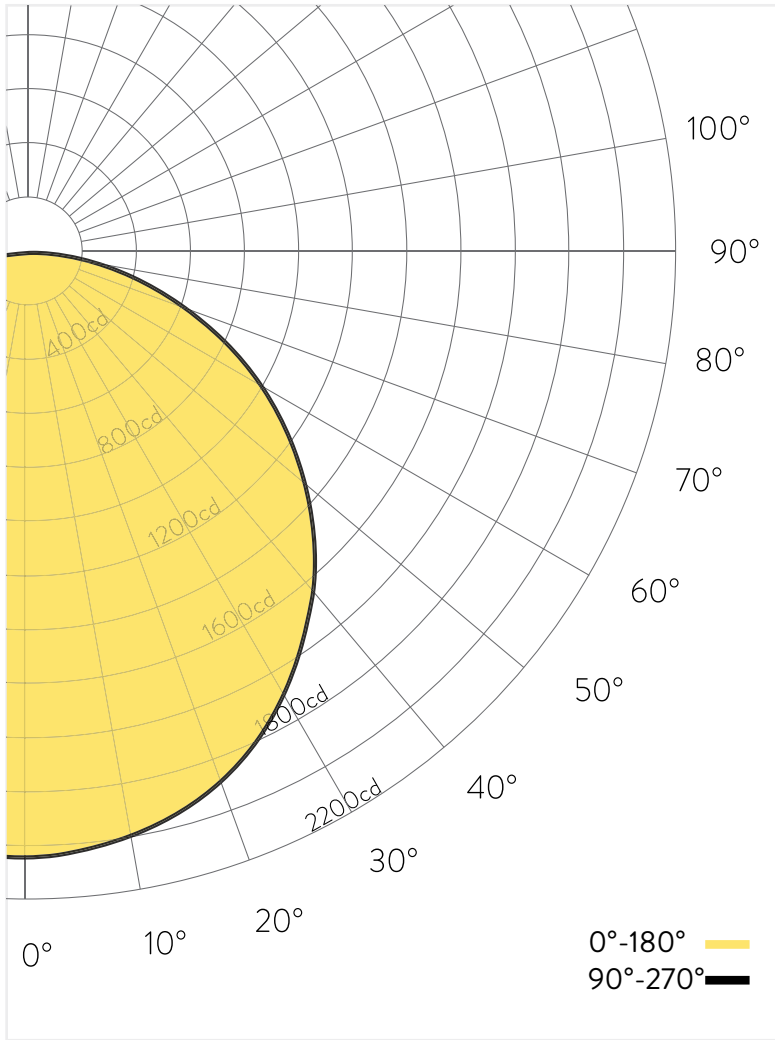
PROJECT:
 CAT.NO:
 NOTES:

DATE:
 TYPE:
 VOLTS:

2019-05-07

PNLV

CAT NO: PNLV-24-45W-30K



INDOOR CU TABLE

	pfc	20.00%	20.00%	20.00%	20.00%	20.00%	20.00%	20.00%	20.00%	20.00%	20.00%	20.00%	20.00%	20.00%	20.00%	20.00%
	pcc	80.00%	80.00%	80.00%	80.00%	70.00%	70.00%	70.00%	70.00%	50.00%	50.00%	50.00%	30.00%	30.00%	30.00%	10.00%
	pw	70.00%	50.00%	30.00%	10.00%	70.00%	50.00%	30.00%	10.00%	50.00%	30.00%	10.00%	50.00%	30.00%	10.00%	50.00%
	0.00	119.39	119.39	119.39	119.39	116.55	116.55	116.55	116.55	111.25	111.25	111.25	106.41	106.41	106.41	101.96
	1.00	108.74	103.80	99.37	95.39	105.92	101.46	97.43	93.78	97.07	93.75	90.71	93.04	90.34	87.83	89.33
	2.00	98.73	90.29	83.31	77.44	96.01	88.33	81.91	76.47	84.66	79.25	74.59	81.27	76.76	72.80	78.14
	3.00	89.96	79.21	70.90	64.27	87.39	77.57	69.86	63.65	74.48	67.88	62.44	71.62	66.00	61.27	68.97
	4.00	82.35	70.16	61.24	54.42	79.98	68.78	60.45	54.01	66.18	58.93	53.19	63.76	57.48	52.40	61.51
RCR	5.00	75.74	62.70	53.59	46.86	73.57	61.53	52.97	46.57	59.33	51.79	46.00	57.28	50.65	45.45	55.36
	6.00	69.97	56.48	47.43	40.93	68.00	55.49	46.94	40.72	53.62	46.00	40.31	51.87	45.09	39.91	50.23
	7.00	64.91	51.25	42.39	36.18	63.13	50.41	42.00	36.03	48.81	41.23	35.72	47.30	40.50	35.42	45.90
	8.00	60.46	46.81	38.22	32.32	58.85	46.09	37.90	32.20	44.71	37.27	31.96	43.42	36.67	31.73	42.20
	9.00	56.53	43.01	34.72	29.12	55.07	42.38	34.45	29.03	41.19	33.94	28.85	40.07	33.43	28.67	39.02
	10.00	53.03	39.72	31.76	26.45	51.72	39.18	31.53	26.38	38.15	31.10	26.23	37.17	30.68	26.09	36.25