

LACH3

Latches . Cam . Hook . 3 sizes

PROJECT:
CAT.NO:
NOTES:

DATE:
TYPE:
VOLTS:

PEERLUX[®]
SERIES

GENERAL DESCRIPTION

LED luminaire for **recessed** installation. Durable shielding with a #12 clear prismatic acrylic diffuser supplied as standard. Rigid one-piece body constructed from code gauge steel. Cam latch release opens frame for easy servicing while retaining hook prevents the hinged frame from disengaging accidentally when opened. Lens is held within a hinged steel frame. No visible hardware. Plaster frame kit available, consult factory. Ideal for commercial environments.

CERTIFICATION

Approved to UL1598 and CSA C22.2 No. 250 standards**

Suitable for damp locations.

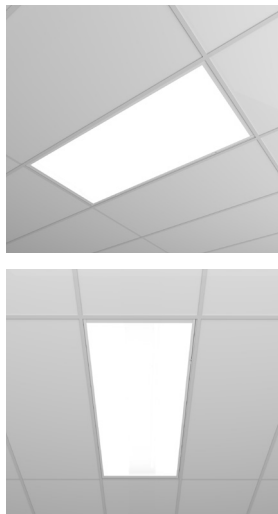


*LED Five (5) year limited warranty.

**Operating temperature: -20°C to +35°C / -4°F to +95 °F, consult factory for operating temperatures outside the listed range.

***Not all available products are DLC qualified. View DLC Qualified Products List at designlights.org to confirm which versions are qualified.

Specifications are subject to change. Please confirm latest specifications prior to placing order.



PERFORMANCE SUMMARY 8FT X 4FT AT 4000K

LUMENS(lm)	WATTAGE(W)	EFFICACY(lm/W)
4200	40	105

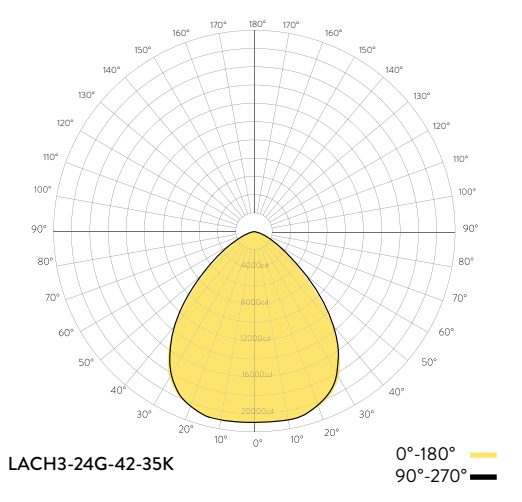
PERFORMANCE SUMMARY 8FT X 8FT AT 4000K

LUMENS(lm)	WATTAGE(W)	EFFICACY(lm/W)
8400	80	105

PERFORMANCE SUMMARY 12FT AT 4000K

LUMENS(lm)	WATTAGE(W)	EFFICACY(lm/W)
6000	55	109

PHOTOMETRIC DATA



DIMENSIONS

SIZE	L	W	H
14G	4'	1'	3.25"
22G	2'	2'	3.25"
24G	4'	4'	3.25"

MOUNTING



ORDERING INFORMATION

LACH3	SIZE	LUMENS	CCT	SHIELDING	CONTROLS *OPTIONAL*	DRIVER
LACH3 = Latches. Cam. Hook . 3 sizes	14G = 1' x 4' T-Bar Ceiling	30 = 3000lm	30K = 3000K	12 = Clear Prismatic Acrylic	OC = On / Off Occupancy Control	MV = Standard 120V-277V 1% Dimming (0-10V)
		32 = 3200lm	35K = 3500K	12F = Frosted Prismatic Acrylic		
		35 = 3500lm	40K = 4000K	19 = Clear Prismatic #19 Acrylic		
		40 = 4000lm	50K = 5000K	19F = Frosted Prismatic #19 Acrylic		
		46 = 4600lm	FA = Flat Frosted Acrylic			
	24G = 2' x 4' T-Bar Ceiling	40 = 4000lm	FOA = Flat Opal Acrylic	12P = Clear Prismatic Polycarbonate 0.125in THK	O5 = 100% - 50% Hi / Low Occupancy Control	EM = Emergency Driver
		48 = 4800lm		125 = Clear Prismatic Acrylic 0.125in THK		
		64 = 6400lm				
		82 = 8200lm				
		90 = 9000lm				
100 = 10000lm						

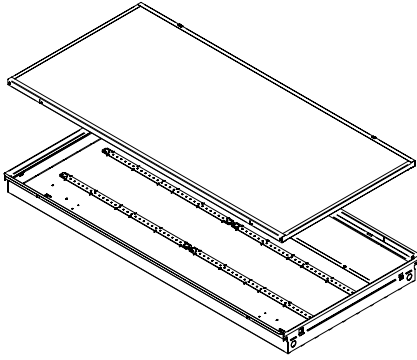
LACH3

Latches . Cam . Hook . 3 sizes

PROJECT:
CAT.NO:
NOTES:

DATE:
TYPE:
VOLTS:

PEERLUX[®]
SERIES



SHIELDING

Durable shielding with a #12 clear prismatic acrylic diffuser supplied as standard. Other shielding options available.

CONSTRUCTION

Rigid one-piece body constructed from code gauge steel. Cam latch release opens frame for easy servicing while retaining hook prevents the hinged frame from disengaging accidentally when opened. Lens is held within a hinged steel frame. No visible hardware.

FINISH

Standard finish is high gloss white polyester baked powder coat enamel. Custom colours available, consult factory. Glossy / Matte / Custom Colours



LED LIGHT ENGINE

Mounted on internal high reflectance white painted reflector.

LED DRIVER

1% Dimming (0-10V). Emergency driver available. DALI (Digital Addressable Lighting Interface), Lutron EcoSystem LED, and other drivers available, consult factory.

ELECTRICAL

3000K 3500K 4000K 5000K

120V - 277V 347V

L80 performance at 60,000 hours minimum. 80 CRI Standard. Other dimming options, lumen options, 90CRI and lengths available, consult factory.

CERTIFICATION

Approved to UL1598 and CSA C22.2 No. 250 standards** Suitable for damp locations.



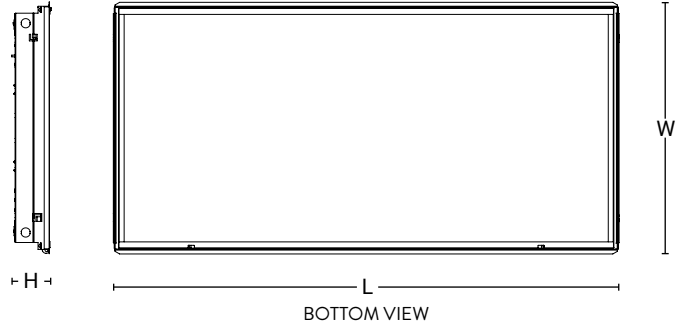
*LED Five (5) year limited warranty.

**Operating temperature: -20°C to +35°C / -4°F to +95 °F, consult factory for operating temperatures outside the listed range.

***Not all available products are DLC qualified. View DLC Qualified Products List at designlights.org to confirm which versions are qualified.

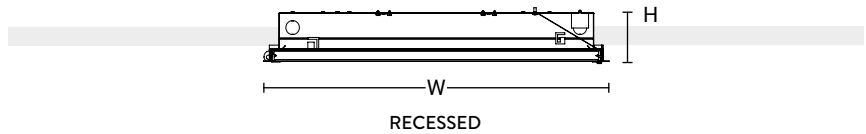
DIMENSIONS

SIZE	L	W	H
14G	4'	1'	3.25"
22G	2'	2'	3.25"
24G	4'	4'	3.25"

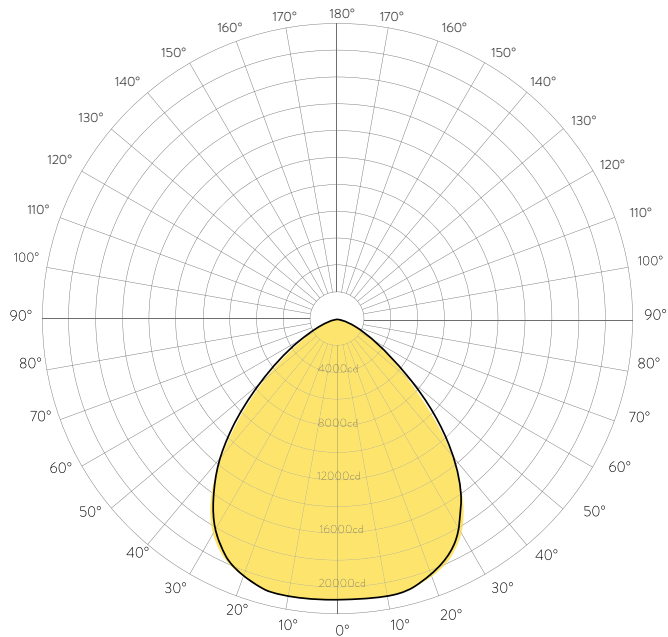


MOUNTING / CROSS SECTION

Recessed installation.



PHOTOMETRIC DATA



LACH3-24G-42-35K

0°-180°
90°-270°

WATTAGE & EFFICACY - 14G

LACH3-14G-30-30K-12	3000lm	3000K	27W	113lm/W
LACH3-14G-30-35K-12	3000lm	3500K	27W	115lm/W
LACH3-14G-30-40K-12	3000lm	4000K	25W	119lm/W
LACH3-14G-30-50K-12	3000lm	5000K	25W	121lm/W
LACH3-14G-32-30K-12	3200lm	3000K	29W	112lm/W
LACH3-14G-32-35K-12	3200lm	3500K	28W	114lm/W
LACH3-14G-32-40K-12	3200lm	4000K	27W	119lm/W
LACH3-14G-32-50K-12	3200lm	5000K	27W	121lm/W
LACH3-14G-35-30K-12	3500lm	3000K	30W	108lm/W
LACH3-14G-35-35K-12	3500lm	3500K	30W	110lm/W
LACH3-14G-35-40K-12	3500lm	4000K	30W	114lm/W
LACH3-14G-35-50K-12	3500lm	5000K	29W	118lm/W
LACH3-14G-40-30K-12	4000lm	3000K	34W	119lm/W
LACH3-14G-40-35K-12	4000lm	3500K	34W	121lm/W
LACH3-14G-40-40K-12	4000lm	4000K	33W	124lm/W
LACH3-14G-40-50K-12	4000lm	5000K	32W	129lm/W
LACH3-14G-46-30K-12	4600lm	3000K	40W	118lm/W
LACH3-14G-46-35K-12	4600lm	3500K	39W	119lm/W
LACH3-14G-46-40K-12	4600lm	4000K	37W	125lm/W
LACH3-14G-46-50K-12	4600lm	5000K	37W	127lm/W

WATTAGE & EFFICACY - 22G

LACH3-22G-30-30K-12	3000lm	3000K	29W	105lm/W
LACH3-22G-30-35K-12	3000lm	3500K	29W	106lm/W
LACH3-22G-30-40K-12	3000lm	4000K	28W	111lm/W
LACH3-22G-30-50K-12	3000lm	5000K	27W	115lm/W
LACH3-22G-32-30K-12	3200lm	3000K	30W	107lm/W
LACH3-22G-32-35K-12	3200lm	3500K	30W	109lm/W
LACH3-22G-32-40K-12	3200lm	4000K	29W	113lm/W
LACH3-22G-32-50K-12	3200lm	5000K	28W	117lm/W
LACH3-22G-35-30K-12	3500lm	3000K	34W	104lm/W
LACH3-22G-35-35K-12	3500lm	3500K	33W	106lm/W
LACH3-22G-35-40K-12	3500lm	4000K	32W	110lm/W
LACH3-22G-35-50K-12	3500lm	5000K	31W	115lm/W
LACH3-22G-40-30K-12	4000lm	3000K	35W	117lm/W
LACH3-22G-40-35K-12	4000lm	3500K	34W	119lm/W
LACH3-22G-40-40K-12	4000lm	4000K	33W	124lm/W
LACH3-22G-40-50K-12	4000lm	5000K	32W	125lm/W
LACH3-22G-46-30K-12	4600lm	3000K	40W	115lm/W
LACH3-22G-46-35K-12	4600lm	3500K	40W	116lm/W
LACH3-22G-46-40K-12	4600lm	4000K	38W	121lm/W
LACH3-22G-46-50K-12	4600lm	5000K	38W	123lm/W

WATTAGE & EFFICACY - 24G

LACH3-24G-40-30K-12	4000lm	3000K	34W	118lm/W
LACH3-24G-40-35K-12	4000lm	3500K	34W	120lm/W
LACH3-24G-40-40K-12	4000lm	4000K	32W	125lm/W
LACH3-24G-40-50K-12	4000lm	5000K	32W	127lm/W
LACH3-24G-48-30K-12	4800lm	3000K	41W	117lm/W
LACH3-24G-48-35K-12	4800lm	3500K	41W	119lm/W
LACH3-24G-48-40K-12	4800lm	4000K	39W	125lm/W
LACH3-24G-48-50K-12	4800lm	5000K	38W	126lm/W
LACH3-24G-64-30K-12	6400lm	3000K	57W	113lm/W
LACH3-24G-64-35K-12	6400lm	3500K	56W	114lm/W
LACH3-24G-64-40K-12	6400lm	4000K	53W	120lm/W
LACH3-24G-64-50K-12	6400lm	5000K	53W	121lm/W

WATTAGE & EFFICACY - 24G

LACH3-24G-82-30K-12	8200lm	3000K	68W	120lm/W
LACH3-24G-82-35K-12	8200lm	3500K	68W	122lm/W
LACH3-24G-82-40K-12	8200lm	4000K	65W	128lm/W
LACH3-24G-82-50K-12	8200lm	5000K	64W	129lm/W
LACH3-24G-90-30K-12	9000lm	3000K	77W	118lm/W
LACH3-24G-90-35K-12	9000lm	3500K	76W	119lm/W
LACH3-24G-90-40K-12	9000lm	4000K	72W	125lm/W
LACH3-24G-90-50K-12	9000lm	5000K	71W	127lm/W
LACH3-24G-100-30K-12	10000lm	3000K	84W	119lm/W
LACH3-24G-100-35K-12	10000lm	3500K	83W	122lm/W
LACH3-24G-100-40K-12	10000lm	4000K	80W	125lm/W
LACH3-24G-100-50K-12	10000lm	5000K	78W	130lm/W