

## GENERAL DESCRIPTION

**LED luminaire** for **recessed** installation. Square frosted acrylic lens. One-piece body constructed from code gauge steel. The fixture's drop design provides a superior quality of diffused lighting. Custom drop heights are available, consult factory. Ideal for architecture and commercial environments.

## CERTIFICATION

Approved to UL1598 and CSA C22.2 No. 250 standards\*\*  
Suitable for damp locations.



\*LED Five (5) year limited warranty.  
\*\*Operating temperature: -20°C to +35°C / -4°F to +95 °F, consult factory for operating temperatures outside the listed range.  
Specifications are subject to change. Please confirm latest specifications prior to placing order.



## ELECTRICAL

3000K 3500K 4000K 5000K

120V - 277V 347V

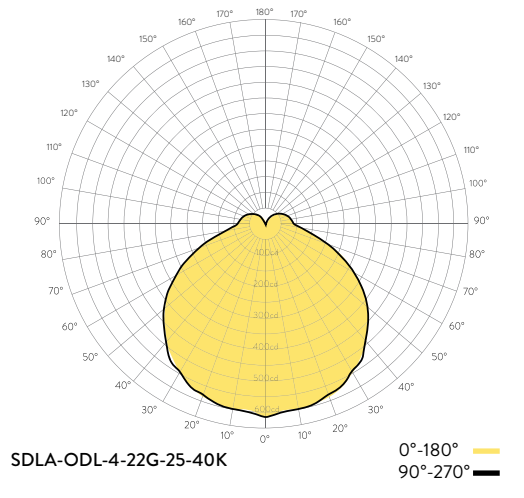
\*TW (Tunable White), other CCT, RGB (Red, Green, Blue LEDs), DM (dim to warm) available, consult factory.  
L80 performance at 60,000 hours minimum.  
80 CRI Standard. Other dimming options, lumen options, 90CRI and lengths available, consult factory.

## FINISH

High gloss white polyester baked powder coat enamel.



## PHOTOMETRIC DATA



## DIMENSIONS

SIZE	L	W	H
22G	23.60"	23.60"	5.00"

## DROP

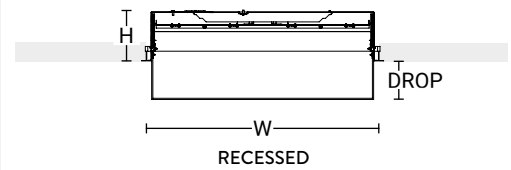
1.00"

4.00"

7.00"

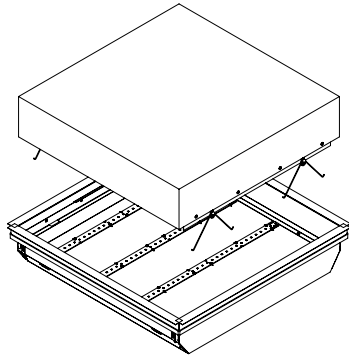
\*other drop height options available, consult factory

## MOUNTING / CROSS SECTION



## ORDERING INFORMATION

SDLA	ODL		22			
FIXTURE	SHIELDING	DROP	SIZE	LUMENS	CCT	DRIVER
SDLA	ODL = Opal Drop Lens	1 = 1" 4 = 4" 7 = 7" *other drop heights options available, consult factory	22G = 2' x 2' T-Bar Ceiling	10 = 1000lm 15 = 1500lm 20 = 2000lm 25 = 2500lm 30 = 3000lm 35 = 3500lm 40 = 4000lm	30K = 3000K 35K = 3500K 40K = 4000K 50K = 5000K TW = Tunable White *Other CCT, RGB (Red, Green, Blue LEDs), DM (dim to warm) available, consult factory	MV = Standard 120V-277V 1% Dimming (0-10V) 347 = Standard 347V Dimming (0-10V) EM = Emergency Driver X = DALI, Lutron EcoSystem LED, and other drivers available, consult factory



### SHIELDING

Square frosted acrylic lens.

### CONSTRUCTION

One-piece body constructed from code gauge steel.

### FINISH

High gloss white polyester baked powder coat enamel.



### LED LIGHT ENGINE

Mounted on internal high reflectance white painted reflector.

### LED DRIVER

1% Dimming (0-10V). Emergency driver available.  
DALI (Digital Addressable Lighting Interface), Lutron  
EcoSystem LED, and other drivers available, consult  
factory.

### ELECTRICAL

3000K 3500K 4000K 5000K

120V - 277V 347V

\*TW (Tunable White), other CCT, RGB (Red, Green, Blue LEDs), DM (dim to warm) available, consult factory.  
L80 performance at 60,000 hours minimum.  
80 CRI Standard. Other dimming options, lumen options, 90CRI and lengths available, consult factory.

### CERTIFICATION

Approved to UL1598 and CSA C22.2 No. 250 standards\*\*  
Suitable for damp locations.



\*LED Five (5) year limited warranty.

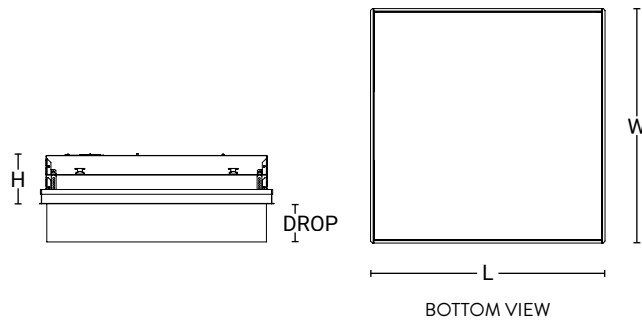
\*\*Operating temperature: -20°C to +35°C / -4°F to +95 °F, consult factory for operating temperatures outside the listed range.

### DIMENSIONS

SIZE	L	W	H
22G	23.60"	23.60"	5.00"

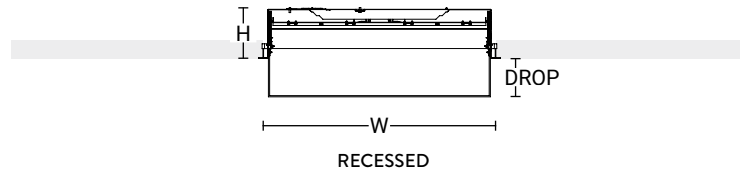
DROP
1.00"
4.00"
7.00"

\*other drop height options available, consult factory

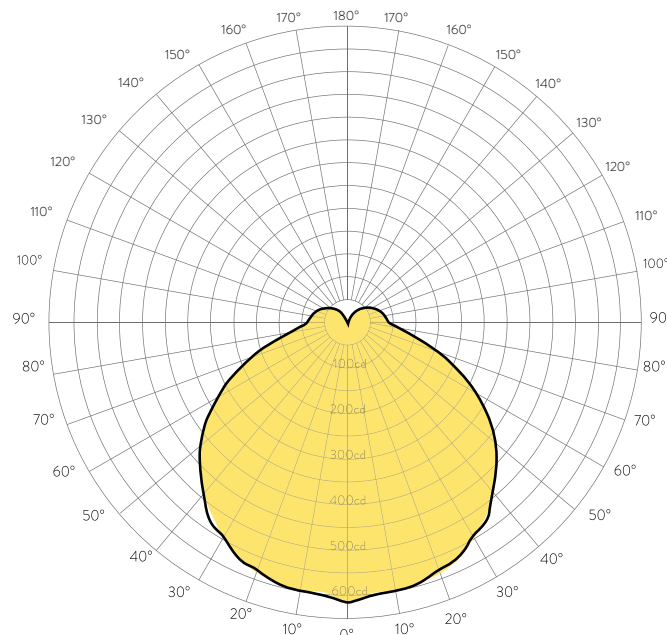


### MOUNTING / CROSS SECTION

Recessed installation.



### PHOTOMETRIC DATA



SDLA-ODL-4-22G-25-40K

0°-180° █  
90°-270° █