

PEERLUX[®]
SERIES



LDX-HB1

 **PEERLESS**
electric-électrique

INCE|TION[®]
PEERLESS CANADA

CONCEPT

The LDX-HB1 is a **LED luminaire** for **wall mounted** installation (bed light). Flat frosted acrylic lens with a rigid body construction from code gauge steel. Separate upper and lower compartments provide uplight, downlight or both. Options available include convenience outlet, night light and various switching arrangement (left or right side installation). Ideal for health care institutions.

CERTIFICATION

Approved to UL1598 and CSA C22.2 No. 250 standards**

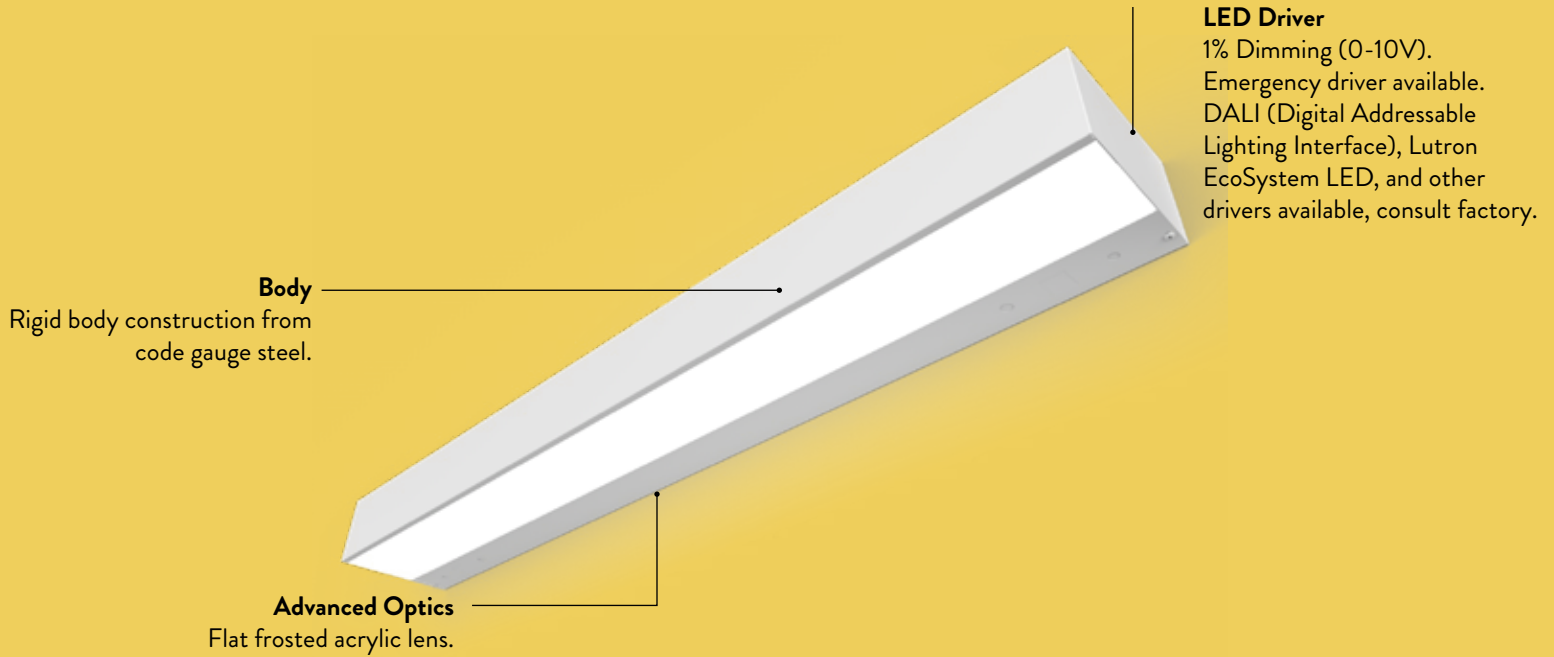
Suitable for damp locations.



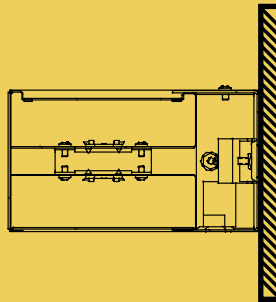
*LED Five (5) year limited warranty. ***Complies with Buy American Act.
 **Operating temperature: -20°C to +35°C / -4°F to +95 °F, consult factory for operating temperatures outside the listed range.
 Specifications are subject to change. Please confirm latest specifications prior to placing order.



STRUCTURE



MOUNTING



WALL MOUNTED

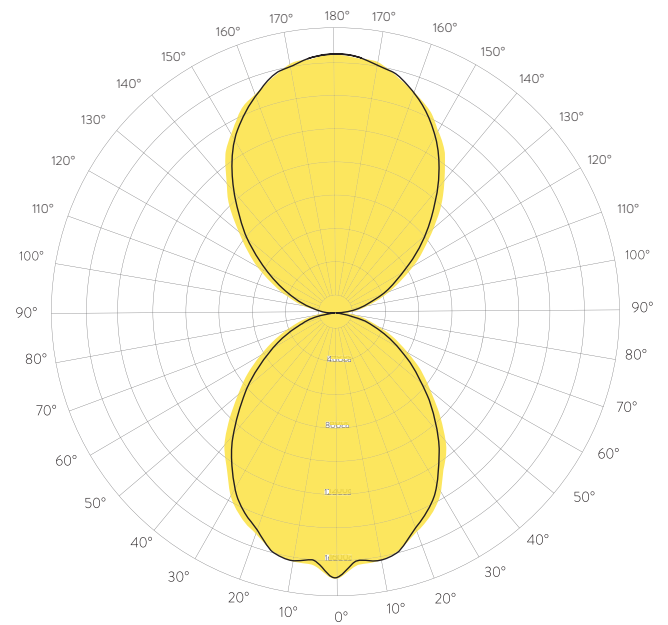






IDEAL FOR HEALTHCARE INSTITUTIONS



PHOTOMETRIC DATA

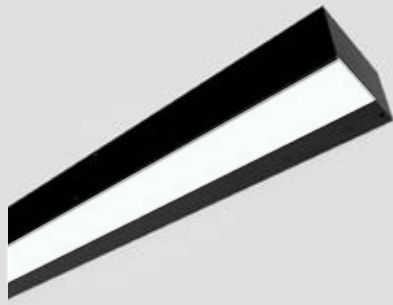


LDX-HB1-4-40U-40D-40K

0°-180° 
90°-270° 



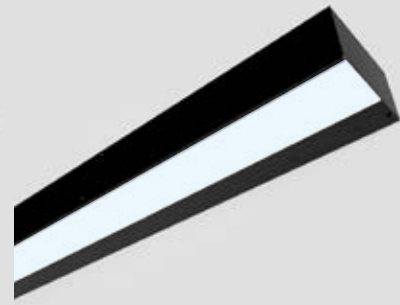
3000K



3500K



4000K



5000K

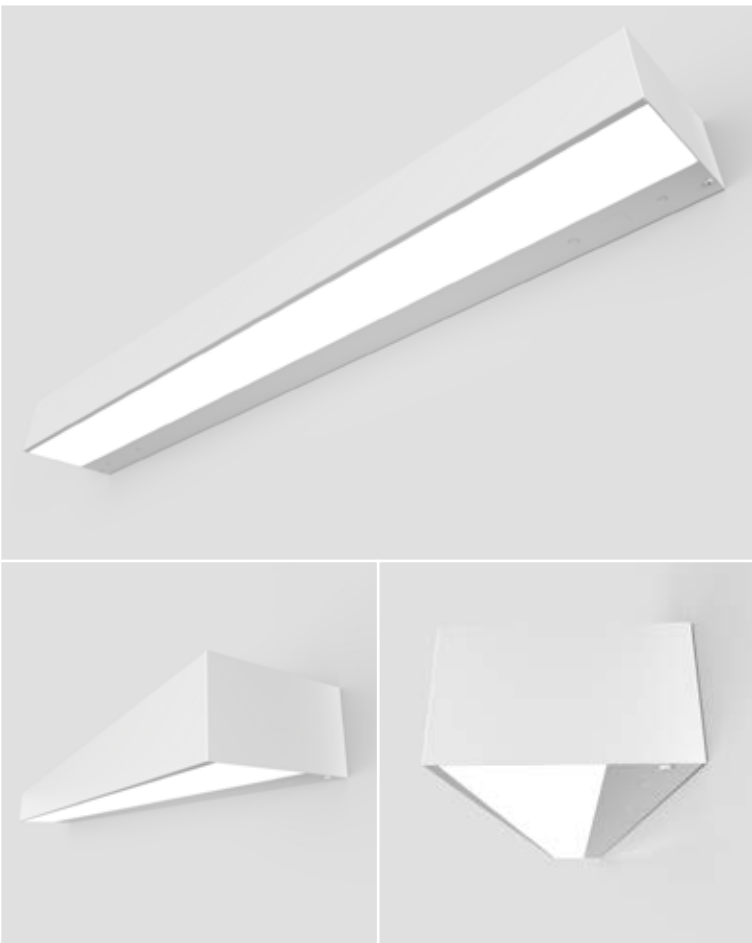
TUNABLE WHITE FUNCTION OPTIONS

Available in 3000K, 3500K, 4000K and 5000K



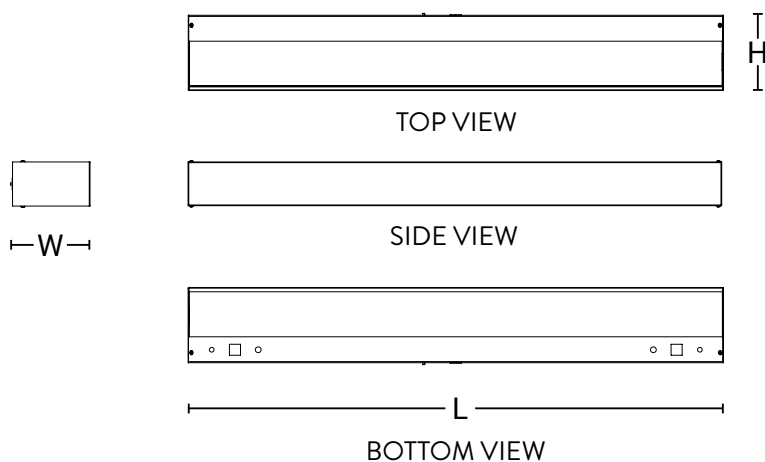
COLOR

Standard finish is matte white polyester baked powder coat enamel. Matte grey and black available.



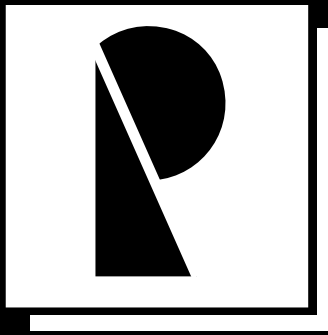
DIMENSIONS

SIZE	L	W	H
3FT	35.05"	6.55"	3.75"
4FT	46.05"	6.55"	3.75"



ORDERING INFORMATION

LDX-HB1	LENGTH	LUMENS UP	LUMENS DOWN	CCT	SHIELDING	CAPTIVE LENS	FINISH	OPTIONS	DRIVER
LDX-HB1 = Linear. Hospital Bed.	2 = 2ft	20U = 2000lm Up 30U = 3000lm Up	20D = 2000lm Down 30D = 3000lm Down	30K = 3000K 35K = 3500K 40K = 4000K 50K = 5000K	FA = Flat Frosted Acrylic	C = Captive Lens *omit for no captive lens	GLOSSY W = White Housing B = Black Housing G = Grey Housing MATTE WM = White Housing BM = Black Housing GM = Grey Housing AB = Antimicrobial Paint X = other colours and finishes available, consult factory	CSL = 4 Position Pull Chain Left CSR = 4 Position Pull Chain Right COL = Convenience Outlet Left COR = Convenience Outlet Right TSL = Toggle Switch Left TSR = Toggle Switch Right NL = Night Light	MV = Standard 120V-277V 1% Dimming (0-10V) 347 = Standard 347V Dimming (0-10V) EM = Emergency Driver X = DALI, Lutron EcoSystem LED, and other drivers available, consult factory
	4 = 4ft	20U = 2000lm Up 30U = 3000lm Up 40U = 4000lm Up 50U = 5000lm Up	20U = 2000lm Down 30U = 3000lm Down 40U = 4000lm Down 50U = 5000lm Down	TW = Tunable White *Other CCT, RGB (Red, Green, Blue LEDs), DM (dim to warm) available, consult factory					



OFFICE:

255-438 Isabey
St-Laurent, QC H4T 1V3
T: 514.595.1671
F: 514.595.4411

PRODUCTION:

2900 Loyalist Str.
Cornwall, ON K6H 6C8
T: 613.510.1268
F: 613.510.1268

info@peerless-electric.com
Peerless-Electric.com