

## GENERAL DESCRIPTION

Recessed air handling luminaire for 20" x 60" T-grid ceilings. One piece faceplate with continuous 1/2" wide by 40 1/2" long air slot on each side. Compatible with most popular air boots.

## CONSTRUCTION

Rigid die-formed body constructed from code gauge steel. Reinforced one-piece faceplate, no visible welds or hardware.

## FINISH

Standard finish is high gloss white polyester powder coat paint. Baked white enamel.

## SHIELDING

Lay-in self centering no. #12 lens supplied as standard.

## ELECTRICAL

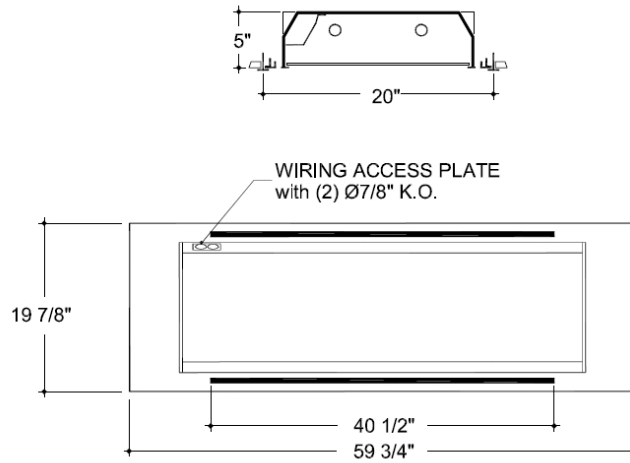
Instant start electronic ballast, 120V-50/60Hz. Other ballasts and voltages available upon request.

## CERTIFICATIONS

CSA and/or UL approved.



## DIMENSIONS



## ORDERING INFORMATION

FIXTURE	SIZE	LAMPS	WATTS	SHIELDING	FRAME	VOLTAGE	BALLAST / DRIVER
AOP	205G = 20" x 5' T-grid	1	28 = 28W (T5)	12 = #12 lens	SF = Steel Frame *Omit for lay in lens	120 = 120 Volts	IS = IS
		2	32 = 32W (T8)	12.125 = #12 lens (0.125")		277 = 277 Volts	PRS = PRS
AOP	515G = 500mm x 1500mm T-grid*	3	54 = 54W (T5HO)			347 = 347 Volts	RS = RS
		4**					

\* Consult factory

\*\* Not available for T5HO