

## GENERAL DESCRIPTION

LED luminaire for surface installation. Durable shielding of clear prismatic acrylic diffuser supplied as standard. Rigid one-piece body constructed from code gauge steel. Lens is held within a hinged steel frame. Cam latch release opens frame for easy servicing. Retaining hook prevents the frame from disengaging accidentally when open. No visible hardware. Provides soft and uniform illumination. Ideal as general lighting for commercial office spaces, classrooms and retail spaces.

## CERTIFICATION

Approved to UL1598 and CSA C22.2 No. 250 standards\*\*

Suitable for damp locations.



\*LED Five (5) year limited warranty. \*\*\*Complies with Buy American Act.  
\*\*Operating temperature: -20°C to +35°C / -4°F to +95 °F, consult factory for operating temperatures outside the listed range.  
Specifications are subject to change. Please confirm latest specifications prior to placing order.



## PERFORMANCE SUMMARY 14 AT 4000K

LUMENS(lm)	WATTAGE(W)	EFFICACY(lm/W)
3200	27	119

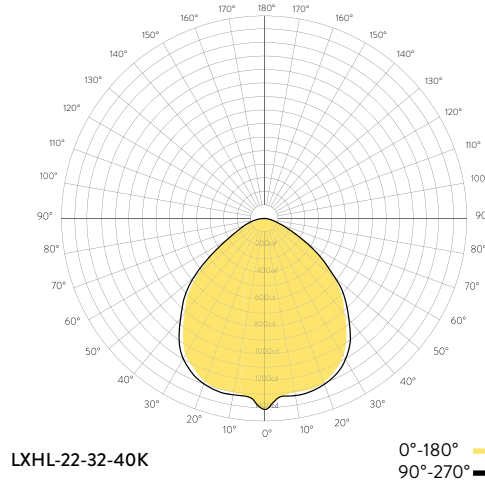
## PERFORMANCE SUMMARY 22 AT 4000K

LUMENS(lm)	WATTAGE(W)	EFFICACY(lm/W)
3200	30	108

## PERFORMANCE SUMMARY 24 AT 4000K

LUMENS(lm)	WATTAGE(W)	EFFICACY(lm/W)
6400	50	129

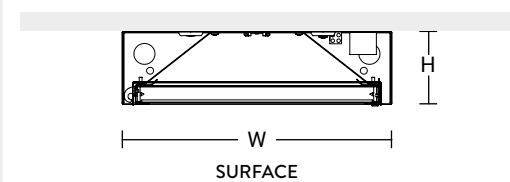
## PHOTOMETRIC DATA



## DIMENSIONS

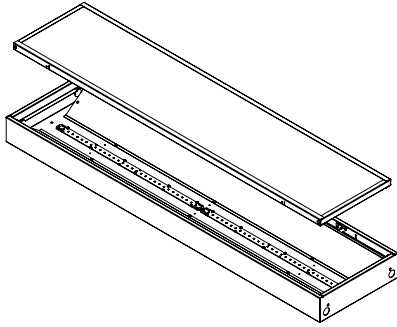
SIZE	L	W	H
14	4'	1'	3.25"
22	2'	2'	3.25"
24	4'	2'	3.25"

## MOUNTING / CROSS SECTION



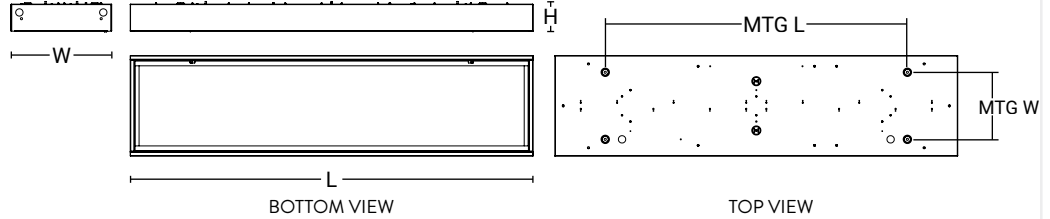
## ORDERING INFORMATION

LXHL	SIZE	LUMENS	CCT	SHIELDING	CONTROLS *OPTIONAL*	DRIVER		
LXHL = Latched. Hooked Lens	14 = 1' x 4'	30 = 3000lm	30K = 3000K	12 = Clear Prismatic Acrylic	OC = On / Off Occupancy Control	MV = Standard 120V-277V 1% Dimming (0-10V)		
		32 = 3200lm	35K = 3500K	12F = Frosted Prismatic Acrylic				
	22 = 2' x 2'	46 = 4600lm	40K = 4000K	FA = Flat Frosted Acrylic	O5 = 100% - 50% Hi / Low Occupancy Control	347 = Standard 347V Dimming (0-10V)		
		40 = 4000lm	50K = 5000K	FOA = Flat Opal Acrylic				
		48 = 4800lm	TW = Tunable White	12P = Clear Prismatic Polycarbonate 0.125in THK			<a href="#">Click here for suggested control options</a>	EM = Emergency Driver
		64 = 6400lm		125 = Clear Prismatic Acrylic 0.125in THK				
		82 = 8200lm						
		90 = 9000lm						
	24 = 2' x 4'		*Other CCT, RGB (Red, Green, Blue LEDs), DM (dim to warm) available, consult factory			X = DALI, Lutron EcoSystem LED, and other drivers available, consult factory		



### DIMENSIONS

SIZE	L	W	H	MTG L	MTG W
14	4'	1'	3.25"	36.00"	8.00"
22	2'	2'	3.25"	18.00"	18.00"
24	4'	2'	3.25"	36.00"	20.00"



### SHIELDING

Durable shielding of clear prismatic acrylic diffuser supplied as standard. Other options are available.

### CONSTRUCTION

Rigid one-piece body constructed from code gauge steel. Lens is held within a hinged steel frame. Cam latch release opens frame for easy servicing. Retaining hook prevents the frame from disengaging accidentally when open. No visible hardware.

### FINISH

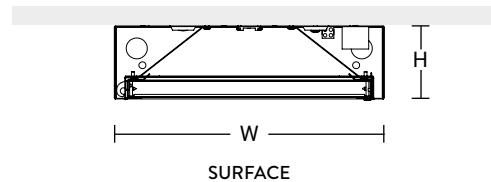
Standard finish is high gloss white polyester baked powder coat enamel. Custom colours available, consult factory.

Glossy / Matte / Custom Colours



### MOUNTING / CROSS SECTION

Surface installation.



### LED LIGHT ENGINE

Mounted on internal high reflectance white painted reflector.

### LED DRIVER

1% Dimming (0-10V). Emergency driver available. DALI (Digital Addressable Lighting Interface), Lutron EcoSystem LED, and other drivers available, consult factory.

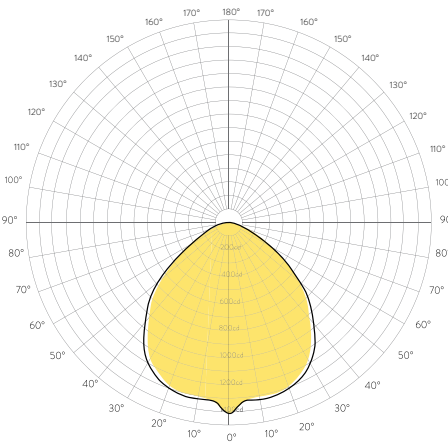
### ELECTRICAL

3000K 3500K 4000K 5000K

120V - 277V 347V

\*TW (Tunable White), other CCT, RGB (Red, Green, Blue LEDs), DM (dim to warm) available, consult factory. L80 performance at 60,000 hours minimum. 80 CRI Standard. Other dimming options, lumen options, 90CRI and lengths available, consult factory.

### PHOTOMETRIC DATA



LXHL-22-32-40K

0°-180° — Yellow  
90°-270° — Black

### ZONAL LUMEN SUMMARY

Zone	Lumens
0.00°-10.00°	49.00
10.00°-20.00	145.94
20.00°-30.00	238.77
30.00°-40.00	321.35
40.00°-50.00	383.92
50.00°-60.00	412.17
60.00°-70.00	383.73
70.00°-80.00	266.94
80.00°-90.00	69.87
90.00°-100.00	32.88
100.00°-110.00	186.62
110.00°-120.00	328.46
120.00°-130.00	382.30
130.00°-140.00	358.94
140.00°-150.00	296.38
150.00°-160.00	218.45
160.00°-170.00	133.38
170.00°-180.00	44.84
0.00°-90.00	2271.70
90.00°-180.00	1982.26
0.00°-180.00	4253.96

### CERTIFICATION

Approved to UL1598 and CSA C22.2 No. 250 standards\*\* Suitable for damp locations.



\*LED Five (5) year limited warranty. \*\*\*Complies with Buy American Act. \*\*Operating temperature: -20°C to +35°C / -4°F to +95 °F, consult factory for operating temperatures outside the listed range.

### CONE OF LIGHT

Mtg Height	Light Level	Beam Diameter
6.0 ft	14.0 fc	0.0 ft
8.0 ft	7.9 fc	0.0 ft
10.0 ft	5.0 fc	0.0 ft
12.0 ft	3.5 fc	0.0 ft
15.0 ft	2.2 fc	0.0 ft

### AVERAGE LUMINAIRE LUMINANCE (CD/M2)

	0.00°	45.00°	90.00°
0.00°	2095	2095	2095
45.00°	2379	2825	3412
55.00°	2524	3117	3972
65.00°	2592	3316	4595
75.00°	2416	2985	4519
85.00°	1245	1003	1581

### WATTAGE & EFFICACY 14

LXHL-14-30-30K-12	3000lm	3000K	26W	114lm/W
LXHL-14-30-35K-12	3000lm	3500K	26W	116lm/W
LXHL-14-30-40K-12	3000lm	4000K	25W	121lm/W
LXHL-14-32-30K-12	3200lm	3000K	29W	112lm/W
LXHL-14-32-35K-12	3200lm	3500K	28W	114lm/W
LXHL-14-32-40K-12	3200lm	4000K	27W	119lm/W
LXHL-14-46-30K-12	4600lm	3000K	39W	118lm/W
LXHL-14-46-35K-12	4600lm	3500K	39W	120lm/W
LXHL-14-46-40K-12	4600lm	4000K	37W	125lm/W

### WATTAGE & EFFICACY 22

LXHL-22-30-30K-12	3000lm	3000K	27W	113lm/W
LXHL-22-30-35K-12	3000lm	3500K	26W	114lm/W
LXHL-22-30-40K-12	3000lm	4000K	25W	120lm/W
LXHL-22-32-30K-12	3200lm	3000K	32W	100lm/W
LXHL-22-32-35K-12	3200lm	3500K	31W	103lm/W
LXHL-22-32-40K-12	3200lm	4000K	30W	108lm/W
LXHL-22-46-30K-12	4600lm	3000K	40W	115lm/W
LXHL-22-46-35K-12	4600lm	3500K	40W	116lm/W
LXHL-22-46-40K-12	4600lm	4000K	38W	122lm/W

### WATTAGE & EFFICACY 24

LXHL-24-40-30K-12	4000lm	3000K	33W	122lm/W
LXHL-24-40-35K-12	4000lm	3500K	32W	124lm/W
LXHL-24-40-40K-12	4000lm	4000K	31W	129lm/W
LXHL-24-48-30K-12	4800lm	3000K	39W	122lm/W
LXHL-24-48-35K-12	4800lm	3500K	39W	123lm/W
LXHL-24-48-40K-12	4800lm	4000K	37W	129lm/W
LXHL-24-64-30K-12	6400lm	3000K	53W	122lm/W
LXHL-24-64-35K-12	6400lm	3500K	52W	124lm/W
LXHL-24-64-40K-12	6400lm	4000K	50W	129lm/W
LXHL-24-82-30K-12	8200lm	3000K	67W	122lm/W
LXHL-24-82-35K-12	8200lm	3500K	66W	124lm/W
LXHL-24-82-40K-12	8200lm	4000K	64W	129lm/W
LXHL-24-90-30K-12	9000lm	3000K	75W	119lm/W
LXHL-24-90-35K-12	9000lm	3500K	74W	122lm/W
LXHL-24-90-40K-12	9000lm	4000K	71W	127lm/W