

SDL-SP50

SDL - Side Perforated Baskets at 50%

PROJECT:
CAT.NO:
NOTES:

DATE:
TYPE:
VOLTS:

PEERLUX[®]
SERIES

GENERAL DESCRIPTION

LED luminaire for recessed installation in an exposed flat 15/16" T-grid ceiling. Lateral perforated steel baskets with opal overlays. Rigid one-piece body constructed from code gauge steel. Air handling available, consult factory. Plaster frame kit available, consult factory. Ideal for commercial office spaces, schools and retail spaces.

CERTIFICATION

Approved to UL1598 and CSA C22.2 No. 250 standards**
Suitable for damp locations.



*LED Five (5) year limited warranty. ***Complies with Buy American Act.
**Operating temperature: -20°C to +35°C / -4°F to +95°F, consult factory for operating temperatures outside the listed range.
Specifications are subject to change. Please confirm latest specifications prior to placing order.



ELECTRICAL

3000K 3500K 4000K 5000K

120V - 277V 347V

*TW (Tunable White), other CCT, RGB (Red, Green, Blue LEDs), DM (dim to warm) available, consult factory.
L80 performance at 60,000 hours minimum.
80 CRI Standard. Other dimming options, lumen options, 90CRI and lengths available, consult factory.

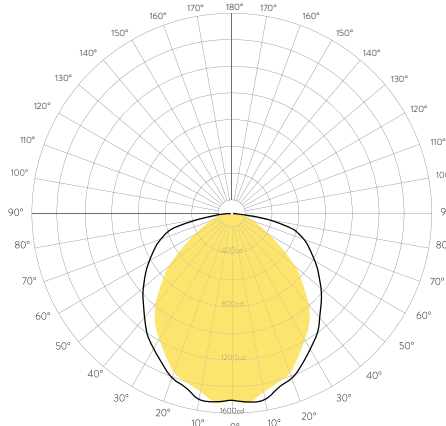
FINISH

Standard finish is high gloss white polyester baked powder coat enamel. Custom colours available, consult factory.
Glossy / Matte / Custom Colours

CONTROLS

[Click here for suggested control options](#)

PHOTOMETRIC DATA



SDL-SP50-22G-40-35K

0°-180°
90°-270°

DIMENSIONS - METRIC

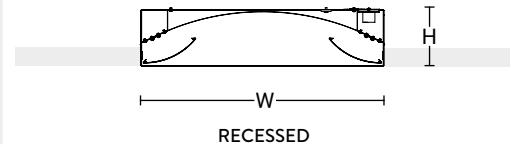
SIZE	L	W	H
600G	600mm	600mm	83mm
612G	600mm	1200mm	83mm

DIMENSIONS - IMPERIAL

SIZE	L	W	H
22G	23.95"	23.90"	3.25"
24G	47.95"	23.90"	3.25"

*other sizes available, consult factory

MOUNTING / CROSS SECTION



ORDERING INFORMATION

SDL	SP50				
FIXTURE	SHIELDING	SIZE* T-Bar Ceiling	LUMENS	CCT	DRIVER
SDL	SP50 = Side Perforated Basket at 50%	22G = 2' x 2'	25 = 2500lm	30K = 3000K	MV = Standard 120V-277V 1% Dimming (0-10V) 347 = Standard 347V Dimming (0-10V) EM = Emergency Driver X = DALI, Lutron EcoSystem LED, and other drivers available, consult factory
			32 = 3200lm	35K = 3500K	
			40 = 4000lm	40K = 4000K	
		24G = 2' x 4'	55 = 5500lm	50K = 5000K	
			44 = 4400lm	TW = Tunable White	
			48 = 4800lm	*Other CCT, RGB (Red, Green, Blue LEDs), DM (dim to warm) available, consult factory	
612G = 600mm x 1200mm	60 = 6000lm				
	66 = 6600lm				

*other sizes on request



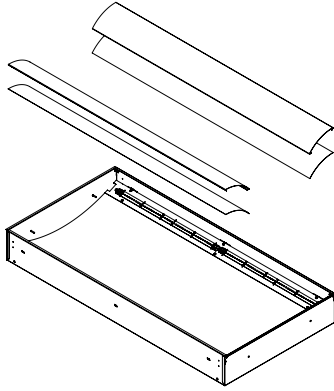
SDL-SP50

SDL - Side Perforated Baskets at 50%

PROJECT:
CAT.NO:
NOTES:

DATE:
TYPE:
VOLTS:

PEERLUX[®]
SERIES



SHIELDING

Lateral perforated steel baskets with opal overlays.

CONSTRUCTION

Rigid one-piece body constructed from code gauge steel.

FINISH

Standard finish is high gloss white polyester baked powder coat enamel. Custom colours available, consult factory.

Glossy / Matte / Custom Colours



LED LIGHT ENGINE

Mounted on internal high reflectance white painted reflector.

LED DRIVER

1% Dimming (0-10V). Emergency driver available.
DALI (Digital Addressable Lighting Interface), Lutron EcoSystem LED, and other drivers available, consult factory.

ELECTRICAL

3000K 3500K 4000K 5000K

120V - 277V 347V

*TW (Tunable White), other CCT, RGB (Red, Green, Blue LEDs), DM (dim to warm) available, consult factory.
L80 performance at 60,000 hours minimum.
80 CRI Standard. Other dimming options, lumen options, 90CRI and lengths available, consult factory.

CERTIFICATION

Approved to UL1598 and CSA C22.2 No. 250 standards**
Suitable for damp locations.



*LED Five (5) year limited warranty. ***Complies with Buy American Act.
**Operating temperature: -20°C to +35°C / -4°F to +95 °F, consult factory for operating temperatures outside the listed range.

CONTROLS

[Click here for suggested control options](#)

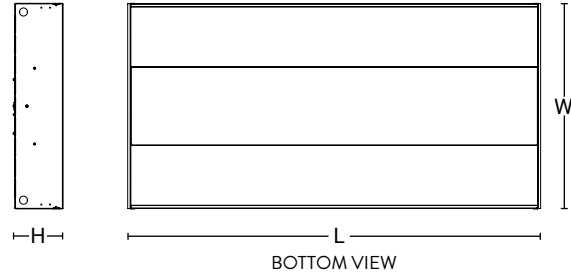
DIMENSIONS - METRIC

SIZE	L	W	H
600G	600mm	600mm	83mm
612G	600mm	1200mm	83mm

DIMENSIONS - IMPERIAL

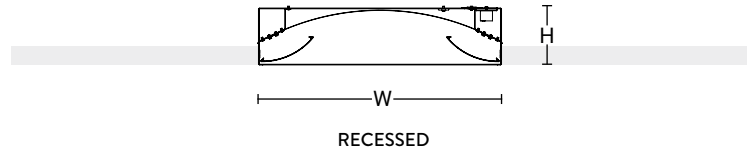
SIZE	L	W	H
22G	23.95"	23.90"	3.25"
24G	47.95"	23.90"	3.25"

*other sizes available, consult factory

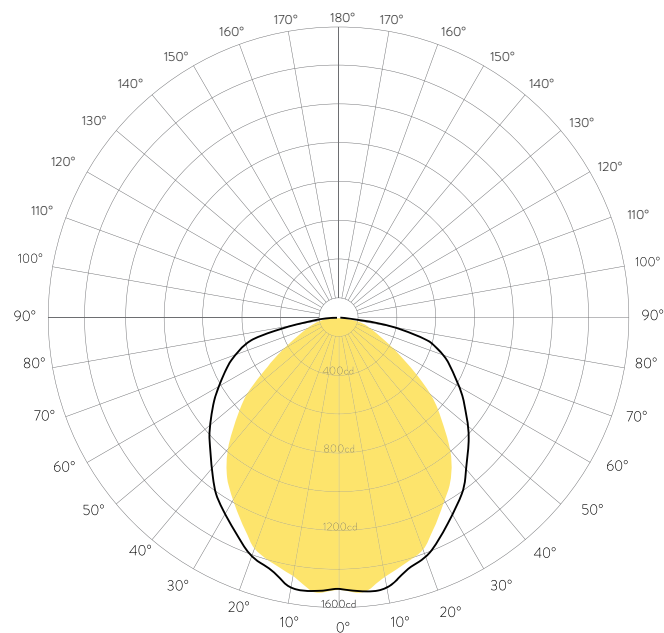


MOUNTING / CROSS SECTION

Recessed installation in an exposed flat 15/16" T-grid ceiling.



PHOTOMETRIC DATA



SDL-SP50-22G-40-35K

0°-180° █
90°-270° █